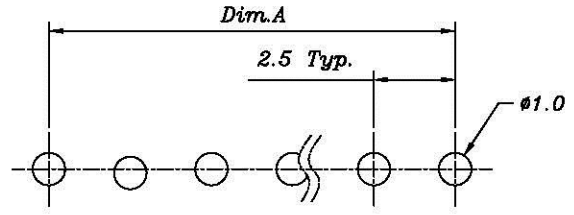
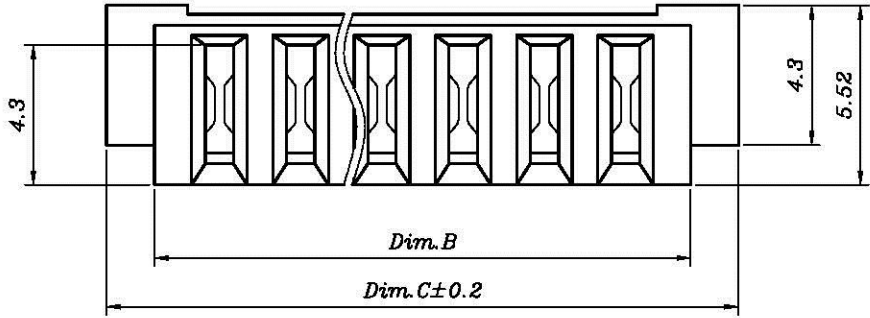
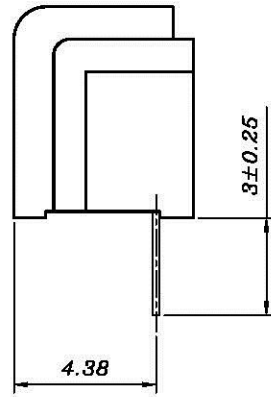
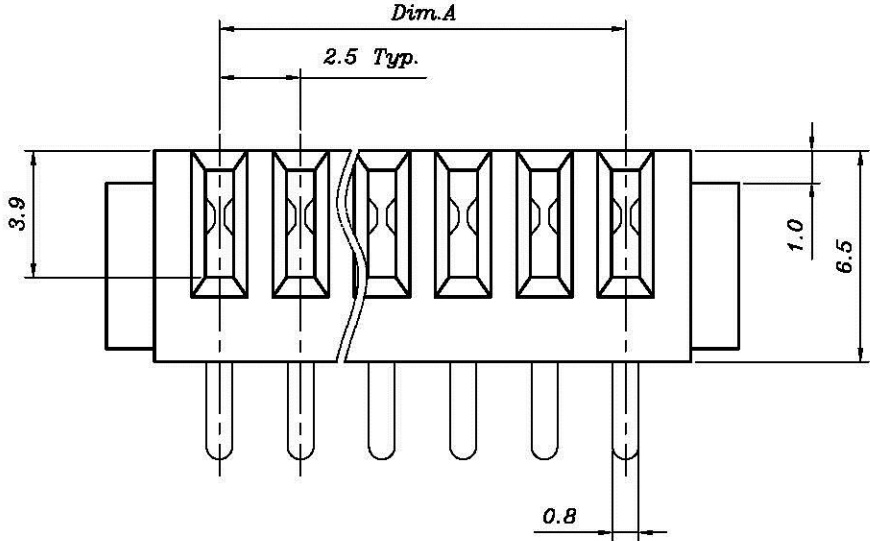


REV	MODIFICATION	DATE	DRAW	APPROVE
A	New Release	03/22/2005	Tom	Giordano
B	EC0503035	03/29/2005	Tom	Giordano
C	EC0504030	04/22/2005	Tom	Giordano



Recommended P.C.B. Layout
Layout Tolerance = ± 0.05 mm



- Notes :**
- Material :**
 Housing : Thermoplastic , UL 94V-0
 Terminal : Copper Alloy
 - Finish :**
 Terminal : Selected Gold on Contact Area, Gold Flash on Solder Tails, Both Over 50u" Min. Ni Under-plated Overall
 - Order Information :**
 X S B 0 - 0 1 0 X A - 0 0 T X
 T : Lead Free
 N/A : Normal
 Amount of Pins
 3 : 3 Pins
 2 : 2
 A : 10 Pins
 Plating
 2 : 2u" Min. Gold on Contact Area
 3 : 5u" Min. Gold on Contact Area
 5 : 15u" Min. Gold on Contact Area
 8 : 30u" Min. Gold on Contact Area

Part No.	Dim.	Dim.A	Dim.B	Dim.C
XSB0-0103A-00TX	5.0	9.0	11.95	
XSB0-0104A-00TX	7.5	11.5	14.45	
XSB0-0105A-00TX	10.0	14.0	16.95	
XSB0-0106A-00TX	12.5	16.5	19.45	
XSB0-0107A-00TX	15.0	19.0	21.95	
XSB0-0108A-00TX	17.5	21.5	24.45	
XSB0-0109A-00TX	20.0	24.0	26.95	
XSB0-010AA-00TX	22.5	26.5	29.45	

DIMENSION IN mm [inch]		 <small>www.allconnectors.de Tel.: 0049 711 2096300 78724 Pfliderstadt - Germany</small>	Title 2.5mm Pitch Battery Conn. Female Type	
Tolerance unless otherwise specified				
X. ± 0.38	X.* ± 10'	CUSTOMER DRAWING	File No. N/A	Size: A4
X.X ± 0.20	X.X* ± 5'		Approve: _____	Rev : C
X.XX ± 0.13	X.XX* ± 2'			Check: _____
X.XXX ±				04/22/2005