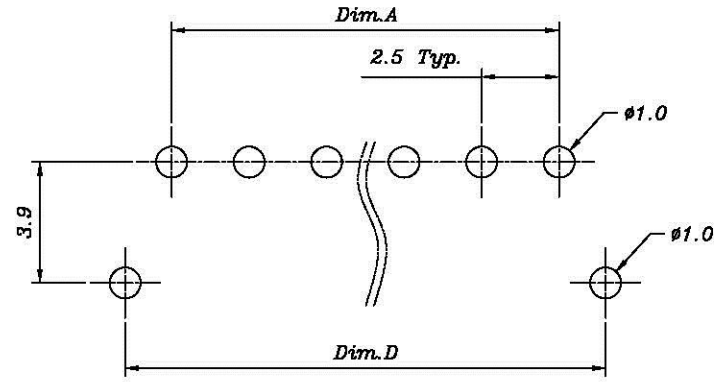
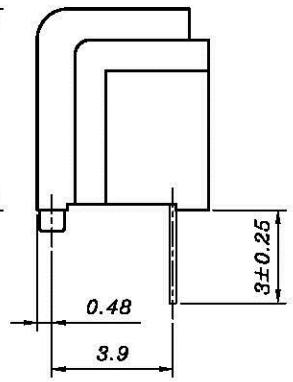
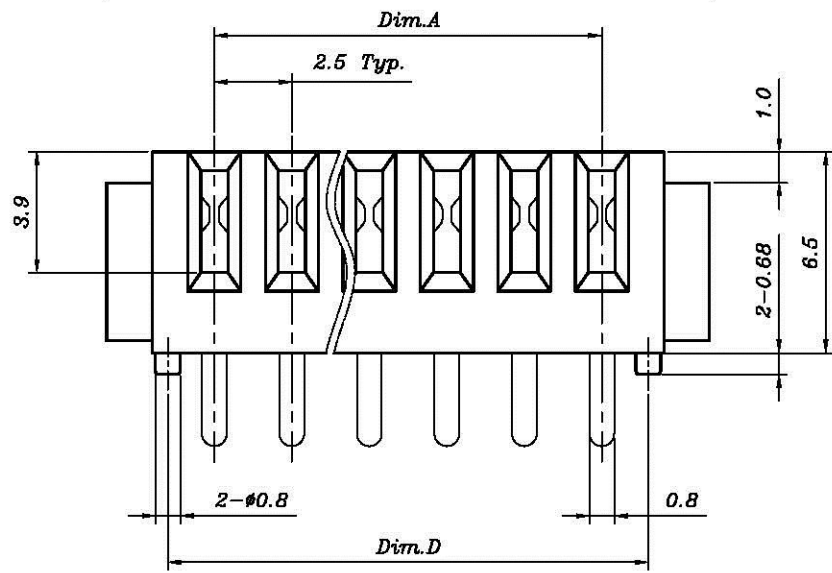
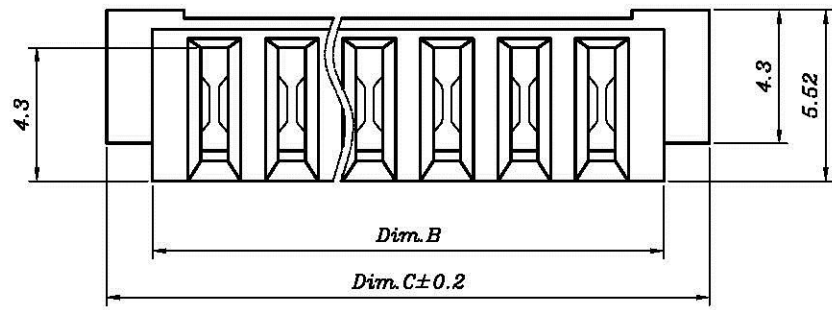


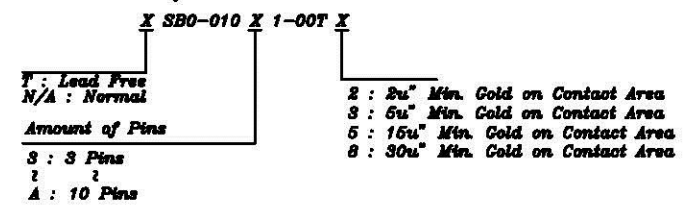
REV	MODIFICATION	DATE	DRAW	APPROVE
A	New Release	11/07/2002	Ben	Ivan
B	EC0503004	03/09/2005	Tom	Giordano
C	EC0504030	04/22/2005	Tom	Giordano



Recommended P.C.B. Layout
Layout Tolerance = ± 0.05 mm

Notes :

- Material :**
Housing : Thermoplastic , UL 94V-0
Terminal : Copper Alloy
- Finish :**
Terminal : Selected Gold on Contact Area, Gold Flash on Solder Tails, Both Over 50u" Min. Ni Under-plated Overall
- Order Information :**



Part No.	Dim.	Dim.A	Dim.B	Dim.C	Dim.D
XSB0-01031-00TX	5.0	9.0	11.95	8.0	
XSB0-01041-00TX	7.5	11.5	14.45	10.5	
XSB0-01051-00TX	10.0	14.0	16.95	13.0	
XSB0-01061-00TX	12.5	16.5	19.45	15.5	
XSB0-01071-00TX	15.0	19.0	21.95	18.0	
XSB0-01081-00TX	17.5	21.5	24.45	20.5	
XSB0-01091-00TX	20.0	24.0	26.95	23.0	
XSB0-010A1-00TX	22.5	26.5	29.45	25.5	

DIMENSION IN mm [inch]		All connectors		Title	
Tolerance unless otherwise specified		www.allconnectors.de Tel: +0049 711 7090707 70794 Hildesheim, Germany		2.5mm Pitch Battery Conn. Female Type	
X.	± 0.38	X'	± 10'	Dwg No.	OSB0-01001-00T0
X.X	± 0.20	X.X'	± 5'	File No.	N/A
X.XX	± 0.13	X.XX'	± 2'	Scale:	4 : 1
X.XXX	±			Size:	A4
Approve:		Check:		Draw:	Tom
					04/22/2005
				Rev :	C
				Sheet:	1 / 1