

REV.	DESCRIPTION	ECN NO.	DATE	DRAWER
A	New Release		05/14/2008	Hyde

Notes:

- Material :
 Housing : Thermoplastic, UL 94V-0, Black
 Terminal : Copper Alloy
 Forklock : Copper Alloy
- Finish :
 Terminal : Selected Gold on Contact Area,
 Gold Flash on Solder Tails,
 Both over 50u" Min. Ni Under-plated Overall
 Forklock : 1u" Min. Gold Over 50u" Min. Ni Under-plated Overall.
- Order Information :

T SA1-101 XX -00T X

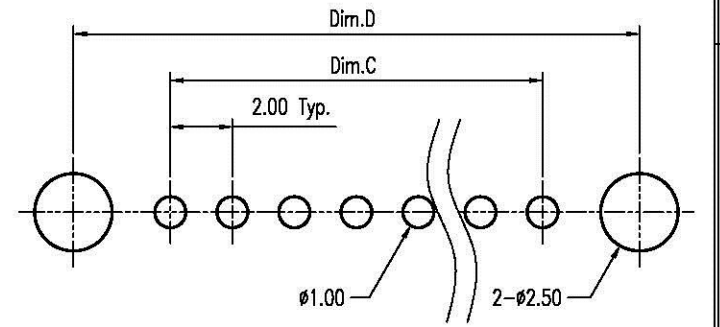
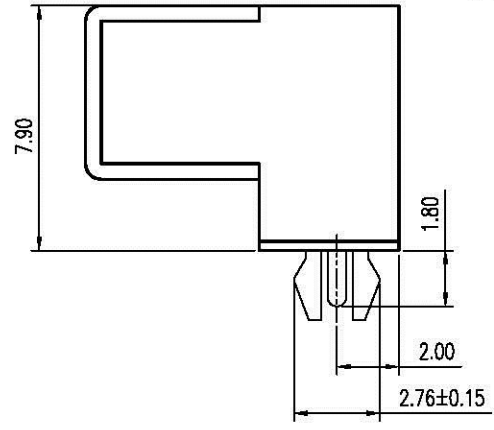
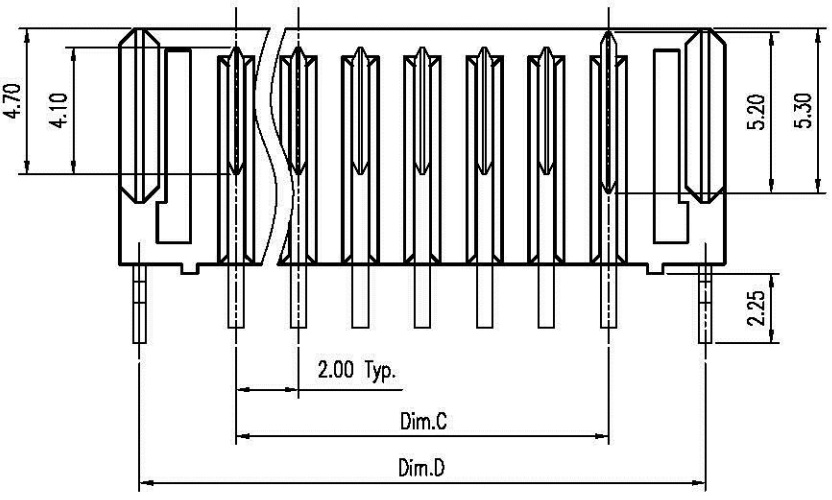
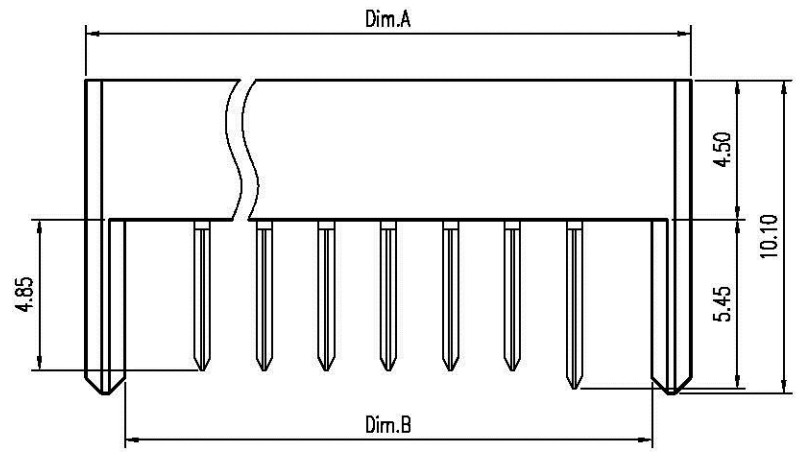
T: RoHS (for High Temperature)

Amount of Pins

- 05 : 5 Pins
- 5
- 10 : 10 Pins

Plating

- 2 : 2u" Min. Gold on Contact Area
- 3 : 5u" Min. Gold on Contact Area



Recommended P.C.B. Layout
 Layout Tolerance = ± 0.05 mm

Dimension Information:

Part No.	Dim.	Amount of Pins	Dim.A	Dim.B	Dim.C	Dim.D
TSA1-10105-00TX	5		15.50	13.0	8.0	14.25
TSA1-10106-00TX	6		17.50	15.0	10.0	16.25
TSA1-10107-00TX	7		19.50	17.0	12.0	18.25
TSA1-10108-00TX	8		21.50	19.0	14.0	20.25
TSA1-10109-00TX	9		23.50	21.0	16.0	22.25
TSA1-10110-00TX	10		25.50	23.0	18.0	24.25

DIMENSION IN mm [inch]			Title 2.0mm Pitch Battery Conn. Male R/A Type Dwg No. TSA1-101XX-00TX File No. P03003
Tolerance unless otherwise specified			
X.	X.' ± 10'	www.allconnectors.de info@allconnectors.de Tel.: +49 181 711 7000-1 70751 Filberstadt - Germany Kettelerstr. 25	Scale: 4 : 1
X.X ± 0.38	X.X' ± 5'		Size: A 4
X.XX ± 0.25	X.XX' ± 2'		Rev : A
X.XXX ± 0.13	X.XXX' ±		Sheet: 1 / 1
CUSTOMER DRAWING		Approver:	Checker:
		Drawer: Hyde	
		05/14/2008	