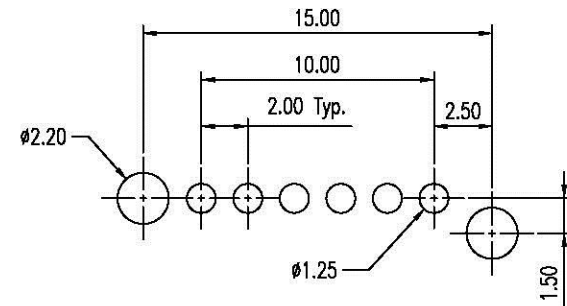
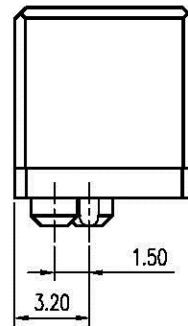
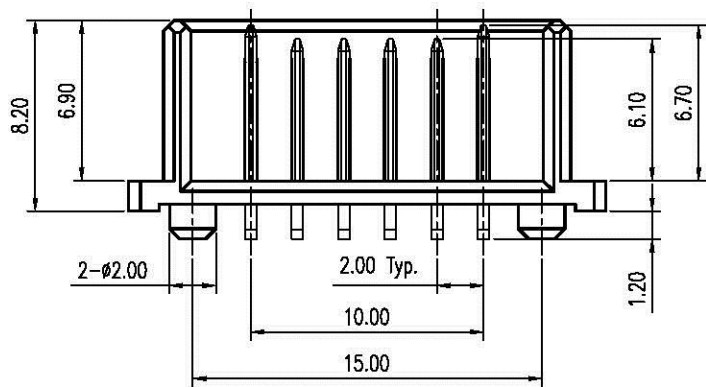
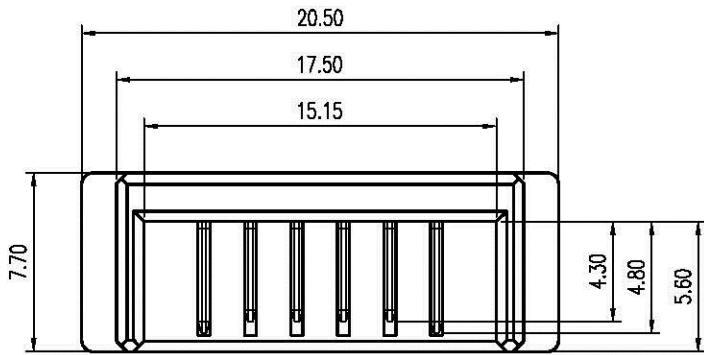


REV.	DESCRIPTION	ECN NO.	DATE	DRAWER
A	New Release		08/09/2007	Alan

Notes:

- Material :
Housing : Thermoplastic UL 94V-0, Black
Terminal : Copper Alloy
- Finish :
Terminal : Selected Gold on Contact Area, Gold Flash on Solder Tails, Both over 50u" Min. Ni Under-plated Overall
- Order Information :
TSA1-06806-04T X

Plating
2 : 2u" Min. Gold on Contact Area
3 : 5u" Min. Gold on Contact Area



Recommended P.C.B. Layout
Layout Tolerance = ± 0.05 mm

DIMENSION IN mm [inch]	
Tolerance unless otherwise specified	
X. ±	X.' ± 10'
X.X ± 0.38	X.X' ± 5'
X.XX ± 0.25	X.XX' ± 2'
X.XXX ± 0.13	X.XXX' ±

Allconnectors

www.allconnectors.de
Tel.: 0049 711 7000503
info@allconnectors.de
Fax: 0049 711 7000504
info@allconnectors.de

CUSTOMER DRAWING

Approver:

Checker:

Drawer: Alan

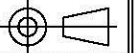
08/09/2007

Title 2.0mm Pitch Battery Conn.

Male Type

Dwg No. TSA1-06806-04TX

File No. P07009



Scale: 3 : 1

Size: A 4

Rev : A

Sheet: 1 / 1