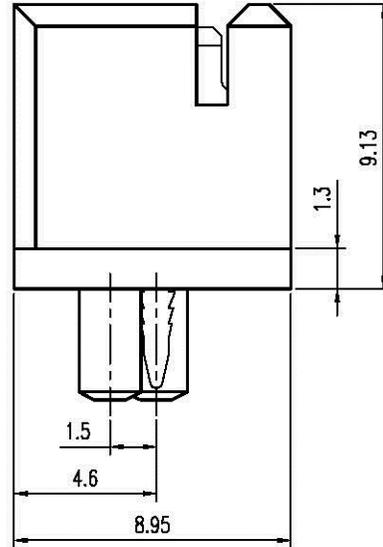
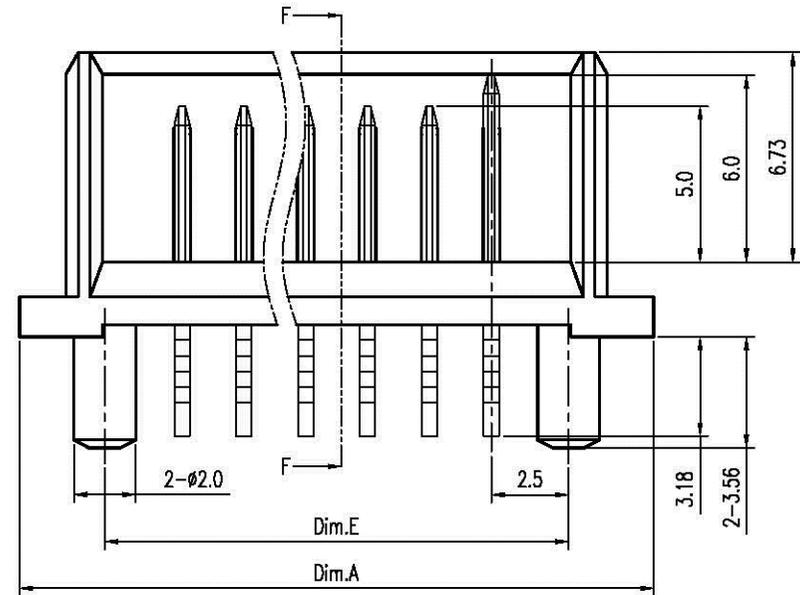


Section F-F



REV.	DESCRIPTION	ECN NO.	DATE	DRAWER
B	Modified by Customer Design	EC0403009	03/26/2004	Tom
C	Modified by Customer Design	EC0504030	04/22/2005	Tom
D	Modified by Customer Design	EC0601032	01/13/2006	Tom

Notes:

- Material :
Housing : Thermoplastic UL 94V-0
Terminal : Copper Alloy
- Finish :
Terminal : Selected Gold on Contact Area, Gold Flash on Solder Tails, Both Over 30u" Min. Ni Under-plated Overall
- Recommended P.C.B. Thickness : 1.2 mm ~ 1.6 mm
- Order Information :

TSA1-063 XX -03T X

Amount of Pins

03 : 3 Pins

5

08 : 8 Pins

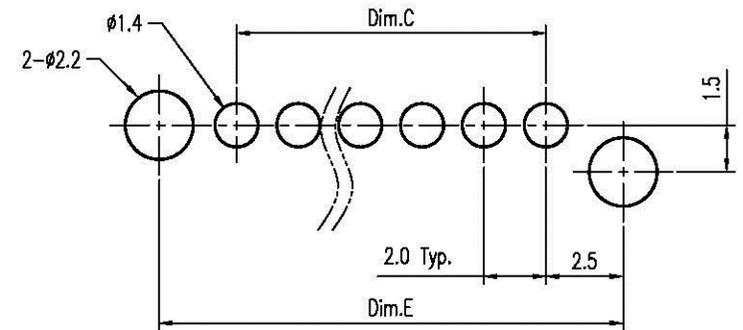
Plating

2 : 3u" Gold on Contact Area

Gold Flash on Solder Tails

3 : 5u" Gold on Contact Area

Gold Flash on Solder Tails



Recommended P.C.B. Layout
Layout Tolerance = ± 0.05 mm

Dimension Information:

Part No.	Dim.	Amount of Pins	Dim.A	Dim.B	Dim.C	Dim.D	Dim.E
TSA1-06303-03TX	3		14.5	11.5	4.0	9.15	9.0
TSA1-06304-03TX	4		16.5	13.5	6.0	11.15	11.0
TSA1-06305-03TX	5		18.5	15.5	8.0	13.15	13.0
TSA1-06306-03TX	6		20.5	17.5	10.0	15.15	15.0
TSA1-06307-03TX	7		22.5	19.5	12.0	17.15	17.0
TSA1-06308-03TX	8		24.5	21.5	14.0	19.15	19.0

DIMENSION IN mm [inch]	
Tolerance unless otherwise specified	
X. ± 0.38	X.' ± 10'
X.X ± 0.25	X.X' ± 5'
X.XX ± 0.15	X.XX' ± 2'
X.XXX ±	X.XXX' ±

All Connectors

www.allconnectors.de
info@allconnectors.de
Tel: +49 4244 211 3000/20
Fax: +49 4244 211 3000/20

CUSTOMER DRAWING

Approver:

Checker:

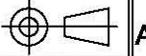
Title 2.0mm Pitch Battery Conn.
Male Type

Dwg No. TSA1-063XX-03TX

File No. N/A

Drawer: Tom

01/13/2006



Scale: 4 : 1

Size: A 4

Rev : D

Sheet: 1 / 1