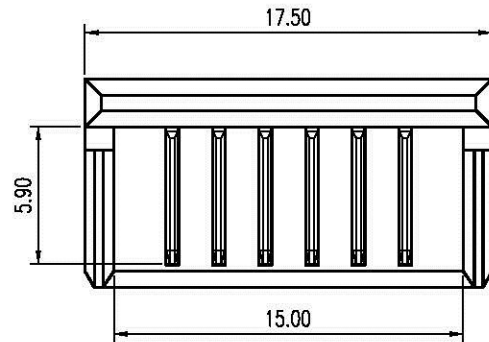


REV.	DESCRIPTION	ECN NO.	DATE	DRAWER
A	New Release		12/29/2005	Edsen



Notes:

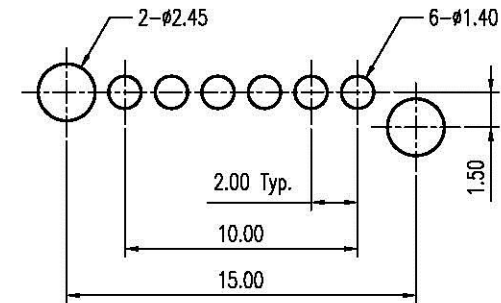
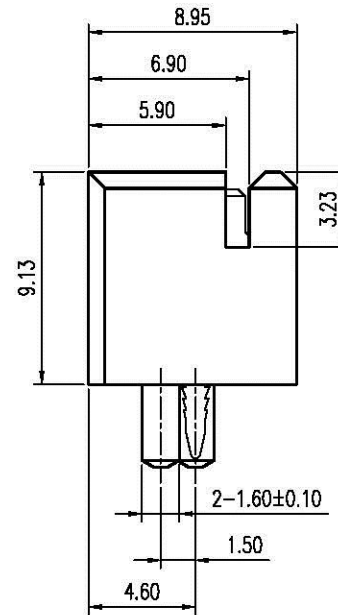
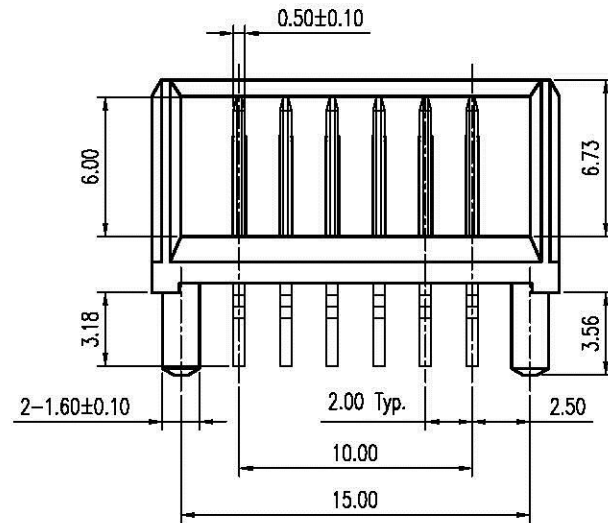
- Material :
Housing : Thermoplastic UL 94V-0, Color : Black
Terminal : Copper Alloy
- Finish :
Terminal : Selected Gold on Contact Area,
1u" Min. Gold on Solder Tails,
Both over 30u" Min. Ni Under-plated Overall.
- Order Information :

TSA1-06206-01T X

T: RoHS (for High Temperature)

Plating

- 2u" Min. Gold on Contact Area
- 5u" Min. Gold on Contact Area



Recommended P.C.B. Layout
Layout Tolerance = ± 0.05 mm

DIMENSION IN mm [inch]				All Connectors		Title 2.0mm Pitch Battery Conn. Male Type		Scale: 3 : 1	
Tolerance unless otherwise specified				www.allconnectors.de info@allconnectors.de Tel: 0049 711 2060503 Fax: 0049 711 2060504 30791 Filderstadt - Germany Kettnerstr. 25		Dwg No. TSA1-06206-01TX		Size: A 4	
X.	±	--	X.'	±	10'	File No. N/A		Rev: A	
X.X	±	0.38	X.X'	±	5'	CUSTOMER DRAWING		Drawer: Edsen	
X.XX	±	0.25	X.XX'	±	2'	Approver:		12/29/2005	
X.XXX	±	0.13	X.XXX'	±		Checker:		Sheet: 1 / 1	