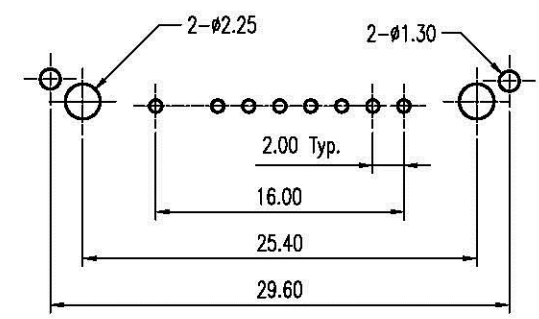
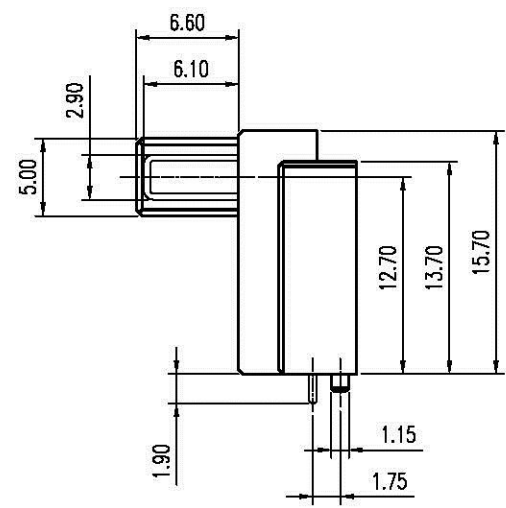
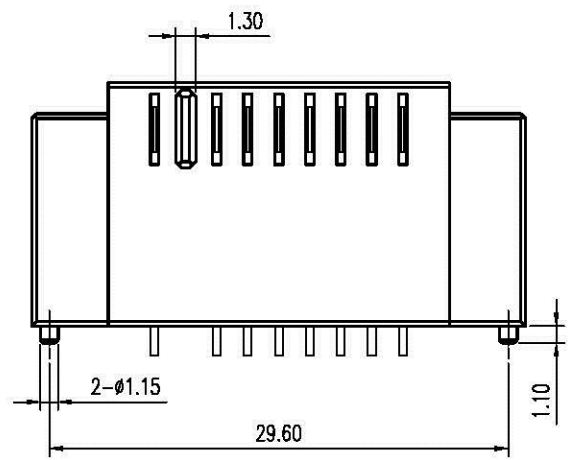
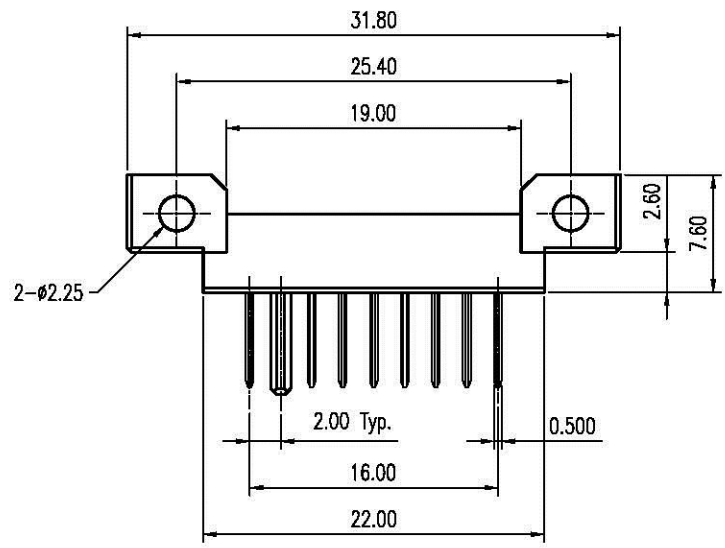


REV.	DESCRIPTION	ECN NO.	DATE	DRAWER
A	New Release		12/05/2008	Kelly

Notes:

- Material :
Housing : Thermoplastic UL 94V-0, Black
Terminal : Copper Alloy
 - Finish :
Terminal : Selected Gold on Contact Area,
Gold Flash on Solder Tails, Both over
50u" Min. Ni Under-plated Overall
 - Order Information :
SA1-041 08 -04T X
T : RoHS (for High Temperature)
- Amount of Pins:
08 : 8 Pins
- Plating Option:
2 : 2u" Min. Gold on Contact Area
3 : 5u" Min. Gold on Contact Area



Recommended P.C.B. Layout
Layout Tolerance = ± 0.05 mm

DIMENSION IN mm [inch]		Allconnectors www.allconnectors.de Tel.: 0645 711 706924 70794 Filzbornstr. - Germany Info@allconnectors.de Fax: 0645 711 706924 kottner@str. 25	Title 2.0mm Pitch Battery Conn. Male Type		Scale: 2 : 1
Tolerance unless otherwise specified			Dwg No. TSA1-04108-04TX		
X.	X.' ± 10'	CUSTOMER DRAWING		File No. PO2024	Size: A 4
X.X ± 0.38	X.X' ± 5'	Approver:	Checker:	Drawer: Kelly	Rev : A
X.XX ± 0.25	X.XX' ± 2'			12/05/2008	Sheet: 1 / 1
X.XXX ± 0.13	X.XXX' ±				