

REV.	DESCRIPTION	ECN NO.	DATE	DRAWER
A	New Released		07/15/2009	Hyde
B	Modified Plating \triangle_B x1	EC0911049	11/13/2009	Hyde
C	Added Packing Option \triangle_C x1	EC1006009	06/04/2010	Jeff

Notes:

- Material :
Housing : Thermoplastic UL 94V-0 , Black
Terminal : Copper Alloy
- Finish :
Terminal : Selected Gold on Contact Area, Gold Flash on Solder Tails, Both over 40u" Min. Ni Under-plated Overall
 \triangle_B Forklock : 80u" Tin. over 40u" Min. Ni Under-plated Overall.

3. Order Information :

T SA1-03B 07 -40 X X A

T : RoHS(for High Temperature)

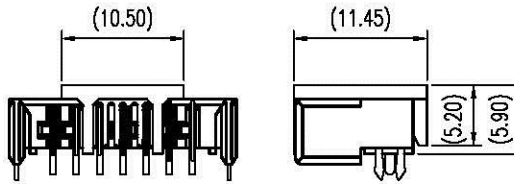
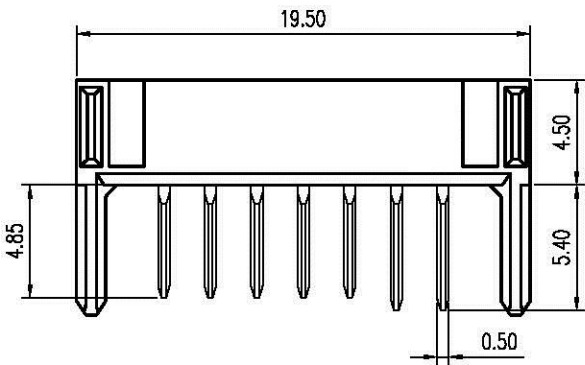
Amount of Pins:
07: 7Pins

Packing Option:

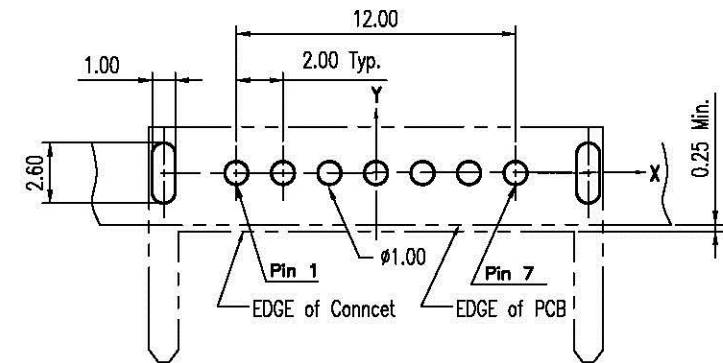
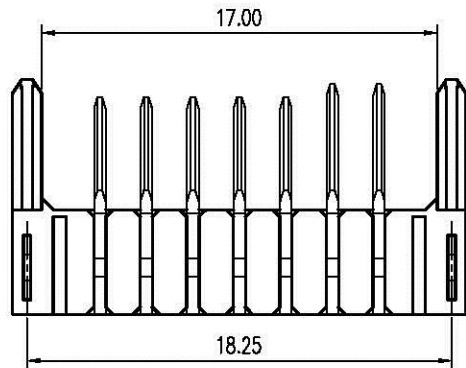
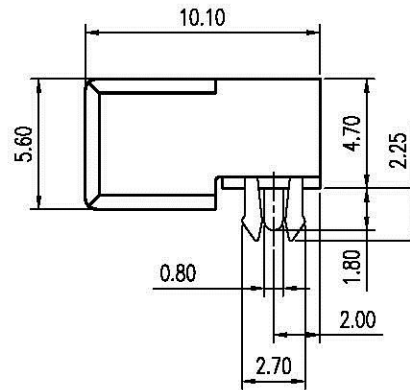
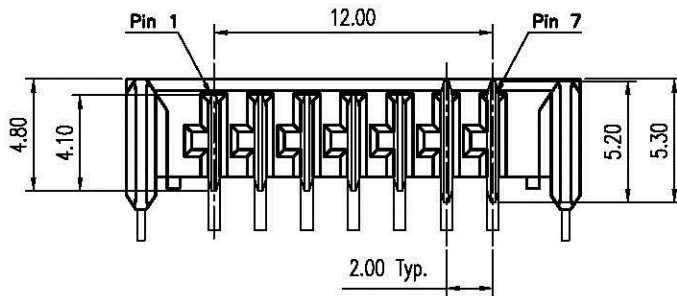
- T : Tube
- \triangle_C R : Tape & Reel
- 1 : Tube+Cap

Plating :

- 2 : 2u" Min. Gold on Contact Area
- 3 : 5u" Min. Gold on Contact Area



With CAP
Scale 6:1



Recommended P.C.B. Layout
Layout Tolerance = ± 0.05 mm

DIMENSION IN mm [inch]	
Tolerance unless otherwise specified	
X.	X.' $\pm 10'$
X.X ± 0.38	X.X' $\pm 5'$
X.XX ± 0.25	X.XX' $\pm 2'$
X.XXX ± 0.13	X.XXX' \pm

All Connectors

www.allconnectors.de
Tel: +349 711 7039305
70794 Filsdorferstr. 60 Germany

Info@allconnectors.de
Fax: +349 711 7609304
Kontaktcenter 25

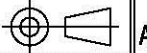
CUSTOMER DRAWING

Approver:

Checker:

Drawer: Jeff

06/04/2010



Scale: 3 : 1

Size: A 4

Rev : C

Sheet: 1 / 1