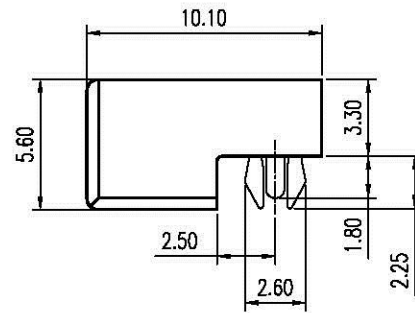
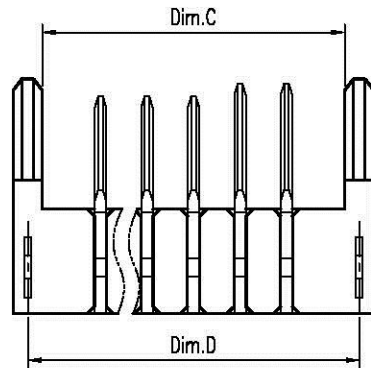
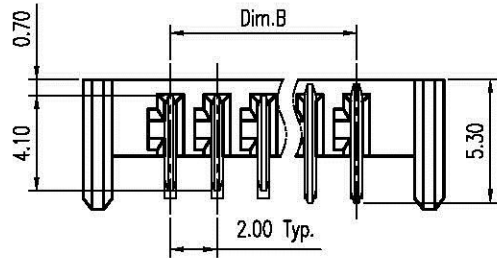
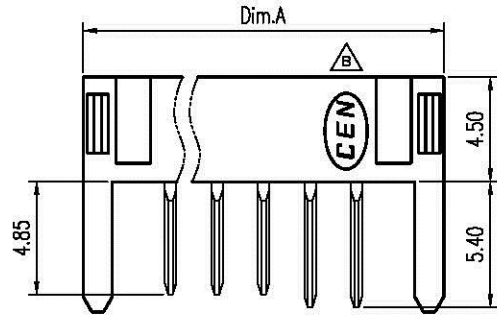


| REV. | DESCRIPTION | ECN NO. | DATE | DRAWER |
|------|-------------------------------------|-----------|------------|--------|
| A | New Release | | 01/03/2006 | Aaron |
| B | Modified Logo Site \triangle_B x1 | EC0807022 | 07/08/2008 | Hyde |



Notes:

- Material :
Housing : Thermoplastic UL 94V-0 , Black
Terminal : Copper Alloy
- Finish :
Terminal : Selected Gold on Contact Area, Gold Flash on Solder Tails, Both over 40u" Min. Ni Under-plated Overall
Forklock : Gold Flash over 40u" Min. Ni Under-plated Overall.

3. Order Information :

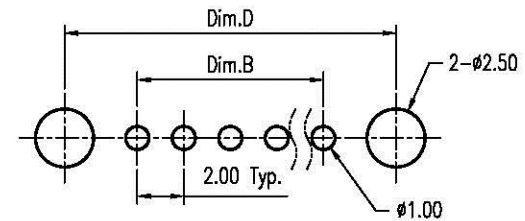
TSA1-034 XX -06T X
T : RoHS(for High Temperature)

Amount of Pins :

- 05 : 5 Pins
- 12 : 12 Pins

Plating :

- 2 : 2u" Min. Gold on Contact Area
- 3 : 5u" Min. Gold on Contact Area



Recommended P.C.B. Layout
Layout Tolerance = ± 0.05 mm

Dimension Information:

| Part No. | Dim. | Amount of Pins | Dim.A | Dim.B | Dim.C | Dim.D |
|-----------------|------|----------------|-------|-------|-------|-------|
| TSA1-03405-06TX | 5 | 5 | 15.50 | 8.00 | 13.00 | 14.25 |
| TSA1-03406-06TX | 6 | 6 | 17.50 | 10.00 | 15.00 | 16.25 |
| TSA1-03407-06TX | 7 | 7 | 19.50 | 12.00 | 17.00 | 18.25 |
| TSA1-03408-06TX | 8 | 8 | 21.50 | 14.00 | 19.00 | 20.25 |
| TSA1-03409-06TX | 9 | 9 | 23.50 | 16.00 | 21.00 | 22.25 |
| TSA1-03410-06TX | 10 | 10 | 25.50 | 18.00 | 23.00 | 24.25 |
| TSA1-03411-06TX | 11 | 11 | 27.50 | 20.00 | 25.00 | 26.25 |
| TSA1-03412-06TX | 12 | 12 | 29.50 | 22.00 | 27.00 | 28.25 |

| DIMENSION IN mm [inch] | | All Connectors | | Title | 2.0mm Pitch Battery Conn. Male Type | |
|--------------------------------------|----------------|-----------------------|----------|----------|-------------------------------------|--|
| Tolerance unless otherwise specified | | www.allconnectors.de | | Dwg No. | TSA1-034XX-06TX | |
| X. | X.' $\pm 10'$ | Info@allconnectors.de | | File No. | N/A | |
| X.X ± 0.38 | X.X' $\pm 5'$ | Tel: 0049 711 7000343 | | Scale: | 3 : 1 | |
| CUSTOMER DRAWING | | | | Rev : | B | |
| X.XX ± 0.25 | X.XX' $\pm 2'$ | Approver: | Checker: | Drawer: | Hyde | |
| X.XXX ± 0.13 | X.XXX' \pm | | | | 07/08/2008 | |
| | | | | Sheet: | 1 / 1 | |