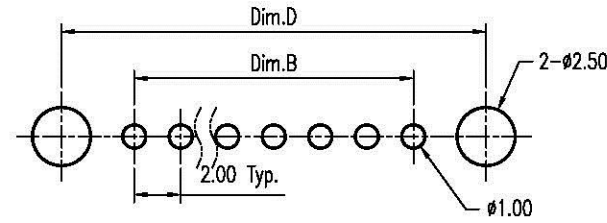
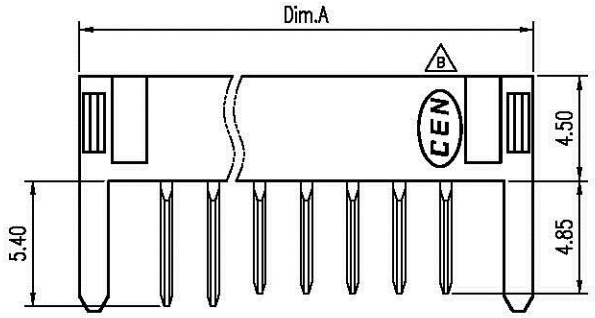
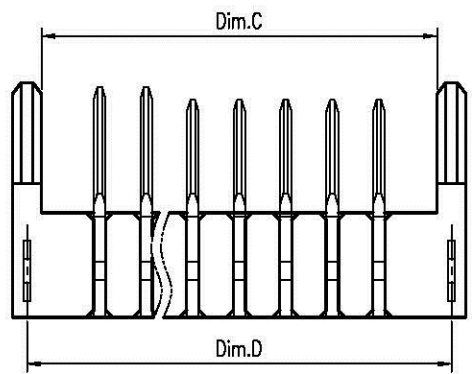
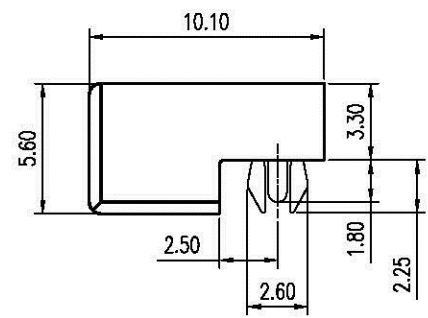
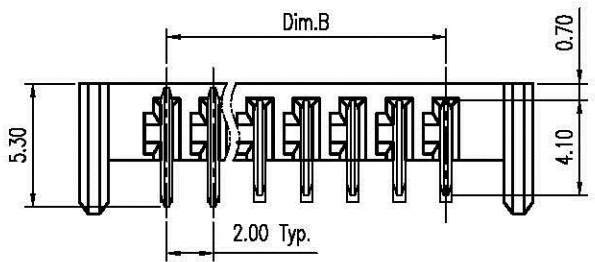


REV.	DESCRIPTION	ECN NO.	DATE	DRAWER
A	New Release		06/08/2006	Kelly
B	Modified $\Delta$ B X2	EC0807022	07/08/2008	Hyde



Recommended P.C.B. Layout  
Layout Tolerance =  $\pm 0.05$  mm



Notes:

- Material :  
Housing : Thermoplastic UL 94V-0 , Black  
Terminal : Copper Alloy
- Finish :  
Terminal : Selected Gold on Contact Area, Gold Flash on Solder Tails, Both over 40u" Min. Ni Under-plated Overall  
Forklock : Gold Flash over 40u" Min. Ni Under-plated Overall.

3. Order Information :

TSA1-034 XX -05 X X  
T : RoHS(for High Temperature)

Amount of Pins :

- 05 : 5 Pins
- 12 : 12 Pins

$\Delta$ B Packing Option:

- T : Tube
- R : Reel (Only 7Pin)

Plating :

- 2 : 2u" Min. Gold on Contact Area
- 3 : 5u" Min. Gold on Contact Area

Dimension Information:

Part No.	Dim.	Amount of Pins	Dim.A	Dim.B	Dim.C	Dim.D
TSA1-03405-05XX	5	5	15.50	8.00	13.00	14.25
TSA1-03406-05XX	6	6	17.50	10.00	15.00	16.25
TSA1-03407-05XX	7	7	19.50	12.00	17.00	18.25
TSA1-03408-05XX	8	8	21.50	14.00	19.00	20.25
TSA1-03409-05XX	9	9	23.50	16.00	21.00	22.25
TSA1-03410-05XX	10	10	25.50	18.00	23.00	24.25
TSA1-03411-05XX	11	11	27.50	20.00	25.00	26.25
TSA1-03412-05XX	12	12	29.50	22.00	27.00	28.25

DIMENSION IN mm [inch]	
Tolerance unless otherwise specified	
X.	X.' $\pm 10'$
X.X $\pm 0.38$	X.X' $\pm 5'$
X.XX $\pm 0.25$	X.XX' $\pm 2'$
X.XXX $\pm 0.13$	X.XXX' $\pm$

**All Connectors**  
www.allconnectors.de  
Info: 0648 711 7098-28  
Tel.: 0648 711 7098-28  
Fax: 0648 711 7098-04  
All Connectors GmbH  
Kellernstr. 29

**CUSTOMER DRAWING**

Approver: \_\_\_\_\_  
Checker: \_\_\_\_\_

Title: 2.0mm Pitch Battery Conn. Male Type  
Dwg No. TSA1-034XX-05XX  
File No. \_\_\_\_\_  
Drawer: Hyde  
07/08/2008

Scale: 3 : 1  
Size: A 4  
Rev : B  
Sheet: 1 / 1