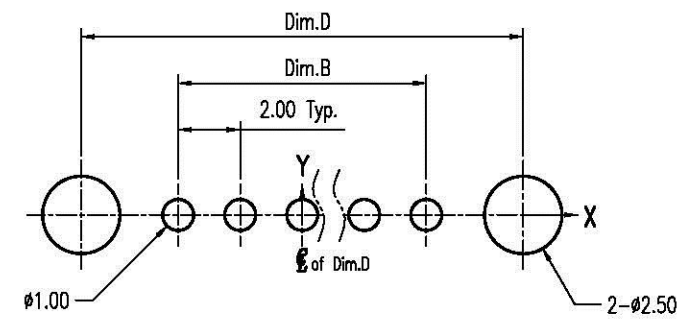
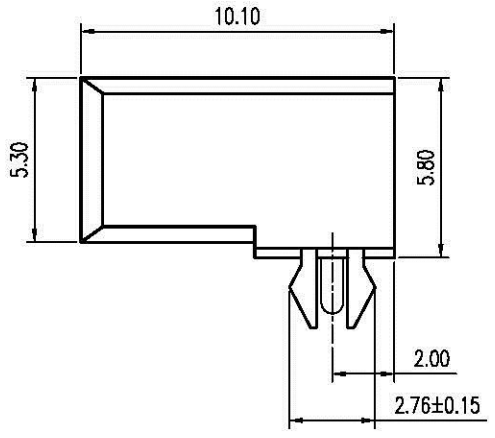
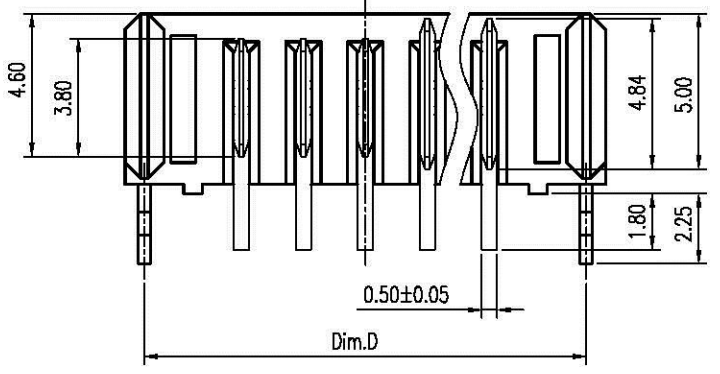
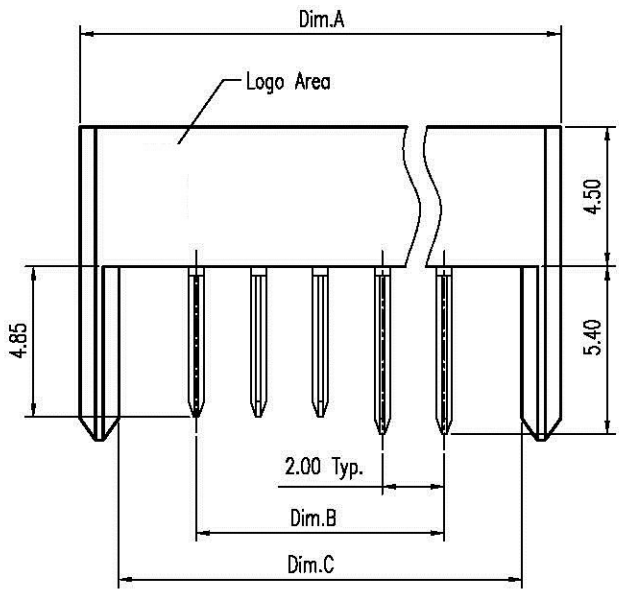


REV.	DESCRIPTION	ECN NO.	DATE	DRAWER
A	New Release		01/22/2009	Hyde

**Notes:**

- Material :  
 Housing : Thermoplastic UL 94V-0, Black  
 Terminal : Copper Alloy  
 Forklock : Copper Alloy
- Finish :  
 Terminal : Selected Gold on Contact Area,  
 Gold Flash on Solder Tails, Both over  
 40u" Min. Ni Under-plated Overall  
 Forklock : Gold Flash Over 50u" Min. Ni Under-plated Overall.
- Order Information :  
 TSA1-021 XX - X 7T X A  
 T: RoHS (for High Temperature)  
 Amount of Pins  
 5 : 5 Pins  
 8 : 8 Pins  
 9 : 9 Pins  
 Logo Option  
 0 : With Logo  
 1 : Without Logo  
 2 : 3u" Min. Gold on Contact Area  
 3 : 5u" Min. Gold on Contact Area



**Recommended P.C.B. Layout**  
 Layout Tolerance = ± 0.05 mm

**Dimension Information:**

Part No.	Dim.	Amount of Pins	Dim.A	Dim.B	Dim.C	Dim.D
TSA1-02105-X7TXA	5	15.5	8	13	14.25	
TSA1-02106-X7TXA	6	17.5	10	15	16.25	
TSA1-02107-X7TXA	7	19.5	12	17	18.25	
TSA1-02108-X7TXA	8	21.5	14	19	20.25	
TSA1-02109-X7TXA	9	23.5	16	21	22.25	

DIMENSION IN mm [inch] Tolerance unless otherwise specified X. ± -- X.' ± 10" X.X ± 0.38 X.X' ± 5" X.XX ± 0.25 X.XX' ± 2" X.XXX ± 0.13 X.XXX' ±		<b>All Connectors</b> <small>www.allconnectors.de          info@allconnectors.de          Tel.: 0514 911 900404          Fax: 0514 911 900404          20724 Nildesdorf - Germany          Kettnerstr. 25</small>	Title <b>2.0mm Pitch Battery Conn. Male Type</b> Dwg No. <b>TSA1-021XX-X7TXA</b> File No. <b>PO2010</b> Approver: _____ Checker: _____ Drawer: <b>Hyde</b> <b>01/22/2009</b>	 Scale: <b>4 : 1</b> Size: <b>A 4</b> Rev : <b>A</b> Sheet: <b>1 / 1</b>
--	--	--	--	--