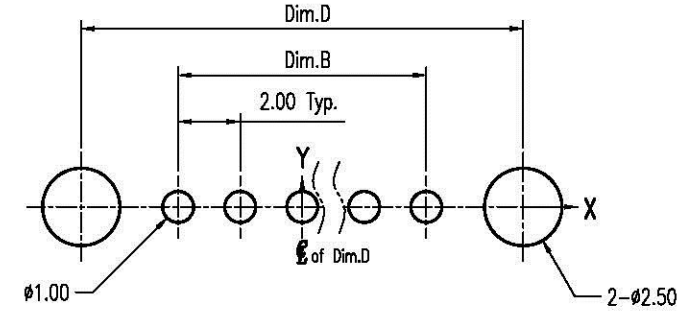
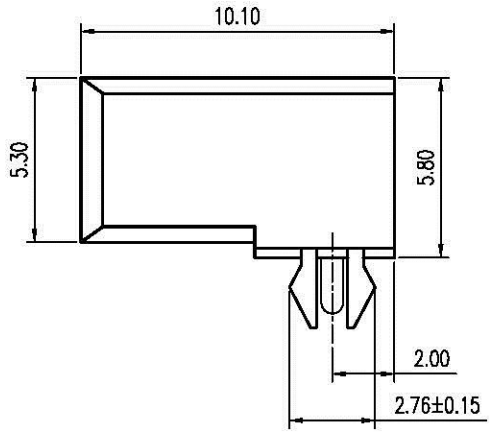
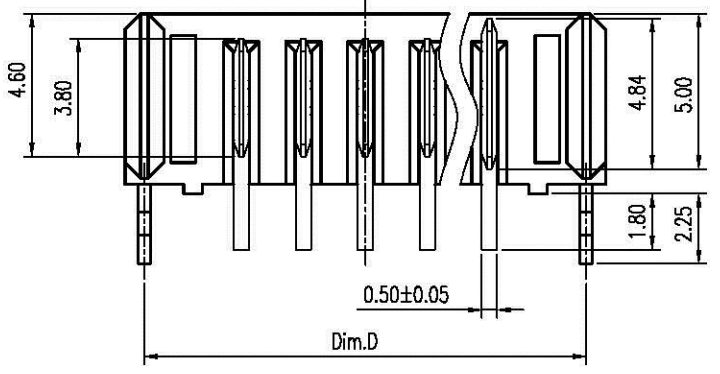
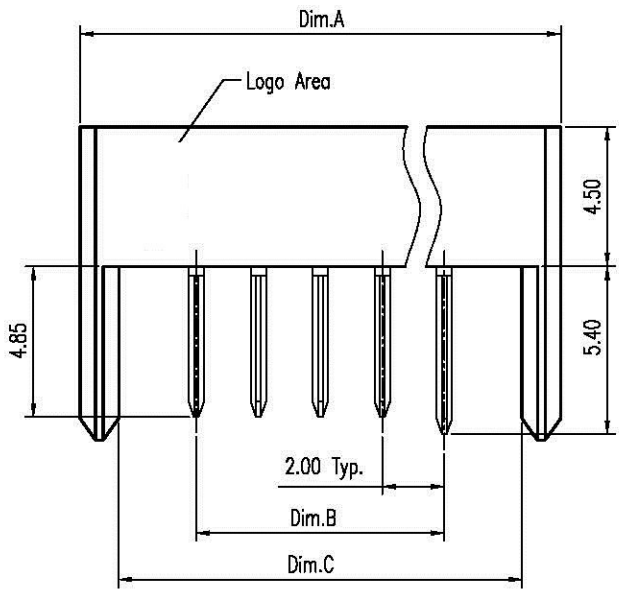


REV.	DESCRIPTION	ECN NO.	DATE	DRAWER
A	New Release		12/05/2008	Hyde

Notes:

- Material :
 Housing : Thermoplastic UL 94V-0, Black
 Terminal : Copper Alloy
 Forklock : Copper Alloy
- Finish :
 Terminal : Selected Gold on Contact Area,
 Gold Flash on Solder Tails, Both over
 40u" Min. Ni Under-plated Overall
 Forklock : Gold Flash Over 50u" Min. Ni Under-plated Overall.
- Order Information :
 T SA1-021 XX - X OT X A
 T: RoHS (for High Temperature)
 Amount of Pins
 5 : 5 Pins
 8 : 8 Pins
 9 : 9 Pins
 Logo Option
 0 : With Logo
 1 : Without Logo
 2 : 3u" Min. Gold on Contact Area
 3 : 5u" Min. Gold on Contact Area



Recommended P.C.B. Layout
 Layout Tolerance = ± 0.05 mm

Dimension Information:

Part No.	Dim.	Amount of Pins	Dim.A	Dim.B	Dim.C	Dim.D
TSA1-02105-XOTXA	5	5	15.5	8	13	14.25
TSA1-02106-XOTXA	6	6	17.5	10	15	16.25
TSA1-02107-XOTXA	7	7	19.5	12	17	18.25
TSA1-02108-XOTXA	8	8	21.5	14	19	20.25
TSA1-02109-XOTXA	9	9	23.5	16	21	22.25

DIMENSION IN mm [inch] Tolerance unless otherwise specified X. ± -- X.' ± 10' X.X ± 0.38 X.X' ± 5' X.XX ± 0.25 X.XX' ± 2' X.XXX ± 0.13 X.XXX' ±		All Connectors <small>www.allconnectors.com</small> <small>info@allconnectors.com</small> <small>tel: +359 744 999485</small> <small>70724 Filizova 1 - Germany</small> <small>tel: +359 744 999486</small> <small>Rel. no. 01.05</small>	Title 2.0mm Pitch Battery Conn. Male Type Dwg No. TSA1-021XX-XOTXA File No. PO2010 Approver: _____ Checker: _____ Drawer: Hyde 12/05/2008	 Scale: 4 : 1 Size: A 4 Rev : A Sheet: 1 / 1
--	--	--	--	--