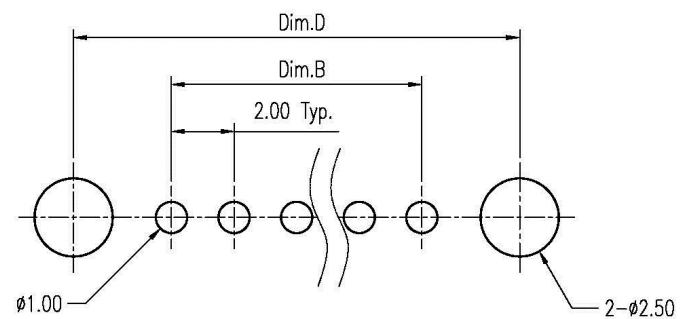
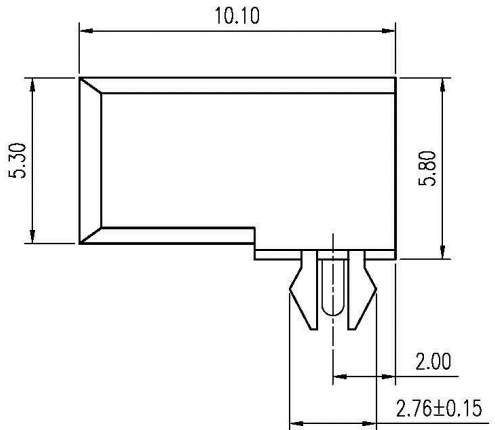
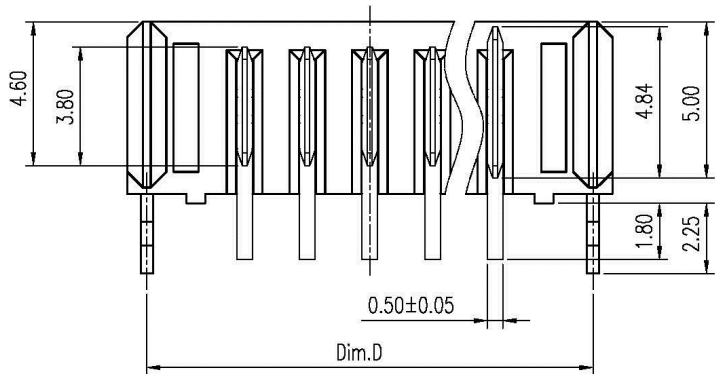
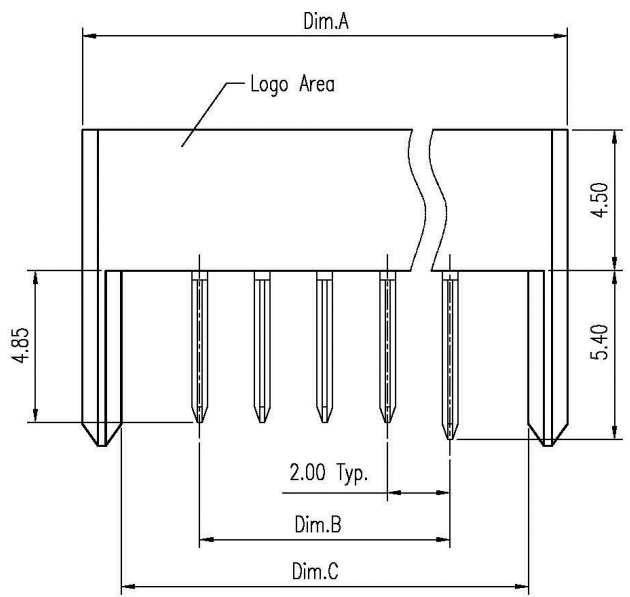


REV.	DESCRIPTION	ECN NO.	DATE	DRAWER
A	New Release		05/20/2004	Kelly
B	Modified by Customer Design	EC0601028	03/08/2006	Edsen
C	Modified by Customer Design	DECN060805	08/09/2006	Edsen



Recommended P.C.B. Layout
Layout Tolerance = ± 0.05 mm

Notes:

- Material :
Housing : Thermoplastic UL 94V-0, Black
Terminal : Copper Alloy
Forklock : Copper Alloy
- Finish :
Terminal : 5u" Min. Gold on Contact Area,
1u" Min. Gold on Solder Tails, Both over
40u" Min. Ni Under-plated Overall
Forklock : 1u" Min. Gold Over 50u" Min. Ni Under-plated Overall.
- Order Information :
T SA1-021 XX - X 0T3
T: RoHS (for High Temperature)

Amount of Pins
5 : 5 Pins
5
8 : 8 Pins

Logo Option
0 : With Logo
1 : Without Logo

Dimension Information:

Part No.	Dim.	Amount of Pins	Dim.A	Dim.B	Dim.C	Dim.D
TSA1-02105-X0T3	5	5	15.50	8.00	13.00	14.25
TSA1-02106-X0T3	6	6	17.50	10.00	15.00	16.25
TSA1-02107-X0T3	7	7	19.50	12.00	17.00	18.25
TSA1-02108-X0T3	8	8	21.50	14.00	19.00	20.25

DIMENSION IN mm [inch]		All connectors
Tolerance unless otherwise specified		
X. ± --	X.* ± 10'	<small>www.allconnectors.de Tel.: 0049 711 7009503 70794 Filzstadt - Germany</small> <small>info@allconnectors.de Fax: 0049 711 7009504 Kettenerstr. 25</small>
X.X ± 0.38	X.X* ± 5'	
X.XX ± 0.25	X.XX* ± 2'	
X.XXX ± 0.13	X.XXX* ±	

Title	2.0mm Pitch Battery Conn. Male Type	
Dwg No.	TSA1-021XX-X0T3	
File No.	P02010	Scale: 4 : 1
Apprver:	Checker:	Size: A 4
Drawer:	Edsen	Rev : C
	08/09/2006	Sheet: 1 / 1