

REV.	DESCRIPTION	ECN NO.	DATE	DRAWER
A	New Released		03/19/2008	Sherry
B	Add Plating Option \triangle x1	EC0908055	08/20/2009	Steven

Notes:

- Material :
Housing : Thermoplastic UL 94V-0 , Black
Terminal : Copper Alloy
- Finish :
Terminal : Selected Gold on Contact Area,
G/F on Solder Tails, Both over
50u" Min. Ni Under-plated Overall
- Order Information :

TSA1-01A XX -0 X T X

T: RoHS(High Temperature)

Amount of Pins:

03: 3 Pins

s s

08: 8 Pins

The Option of Terminal Material:

0: Brass

1: Phosphor Bronze

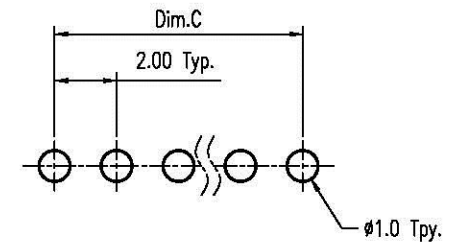
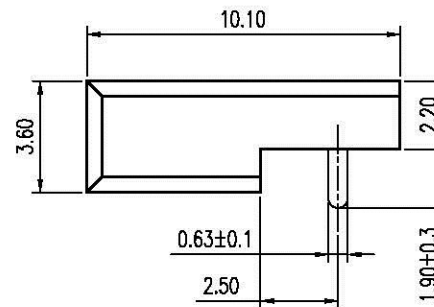
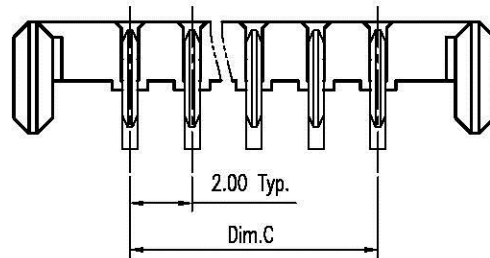
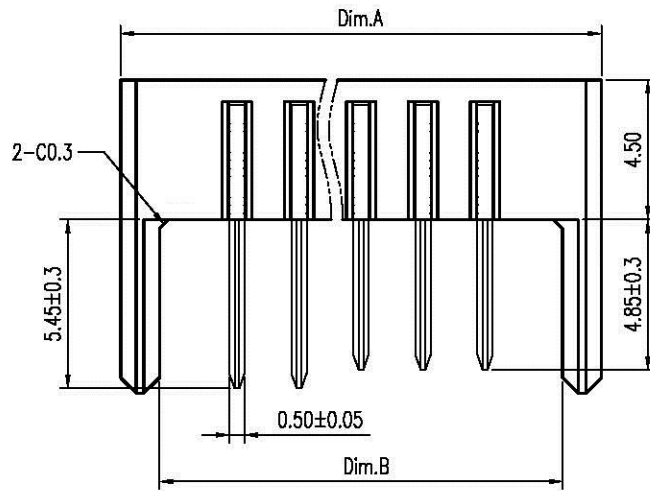
Plating Option:

2: 3u" Min. Gold on Contact Area

3: 5u" Min. Gold on Contact Area

4: 10u" Min. Gold on Contact Area

\triangle 8: 30u" Min. Gold on Contact Area



Recommended P.C.B. Layout
Layout Tolerance = $\pm 0.05 \text{ mm}$

Part No.	Dim.	Amount of Pins	Dim.A	Dim.B	Dim.C
TSA1-01A03-OXTX	3	3	11.50	9.00	4.00
TSA1-01A04-OXTX	4	4	13.50	11.00	6.00
TSA1-01A05-OXTX	5	5	15.50	13.00	8.00
TSA1-01A06-OXTX	6	6	17.50	15.00	10.00
TSA1-01A07-OXTX	7	7	19.50	17.00	12.00
TSA1-01A08-OXTX	8	8	21.50	19.00	14.00

DIMENSION IN mm [inch]		All Connectors	
Tolerance unless otherwise specified			
X.	X.' $\pm 10'$	www.allconnectors.de	Info@allconnectors.de
X.X ± 0.38	X.X' $\pm 5'$	Tel: 0049 711 7069008	Fax: 0049 711 7069004
X.XX ± 0.25	X.XX' $\pm 2'$	All Connectors - Germany	
X.XXX ± 0.13	X.XXX' \pm	Kilbweg 25	

CUSTOMER DRAWING

Approver: _____ Checker: _____

Title	2.0mm Pitch Battery Conn. Male Type
Dwg No.	TSA1-01AXX-OXTX
File No.	PO3004
Scale:	4 : 1
Size:	A 4
Rev :	B
Sheet:	1 / 1

Drawer: Steven
08/20/2009