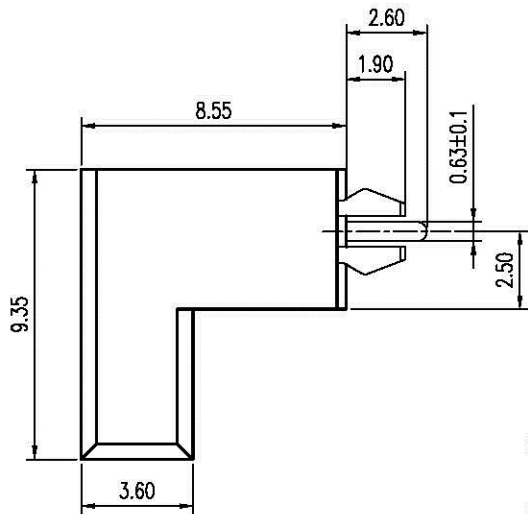
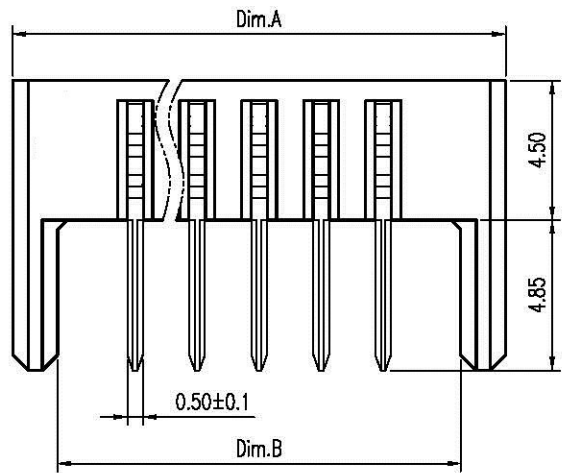


| REV. | DESCRIPTION | ECN NO. | DATE       | DRAWER |
|------|-------------|---------|------------|--------|
| A    | New Release |         | 05/10/2006 | Alan   |



**Notes:**

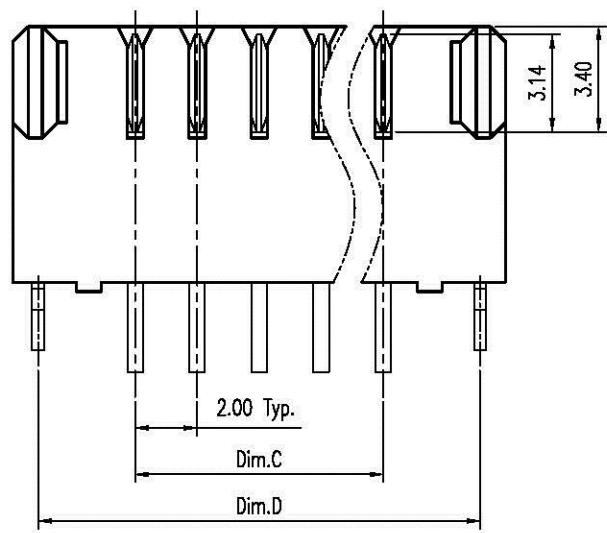
- Material :**  
 Housing : Thermoplastic , UL 94V-0 , Black  
 Terminal : Copper Alloy  
 Forklock : Copper Alloy
- Finish :**  
 Terminal : Selected Gold on Contact Area, Gold Flash on Solder Tails, Both over 50u" Min. Ni Under-plated Overall  
 Forklock : 1u" Min. Gold Over 50u" Min. Ni Under-plated Overall.

**3. Order Information :**

T SA1-016 XX -00T X

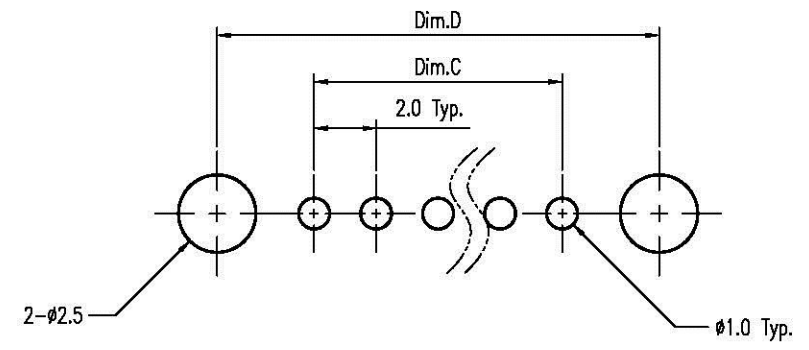
T : RoHS(High Temperature)      Plating Option  
 2 : 3u" Min. Gold on Contact Area  
 3 : 5u" Min. Gold on Contact Area

**Amount of Pins**  
 03 : 3 Pins  
 5 : 5 Pins  
 10 : 10 Pins



| Part No.          | Dim. | Dim.A | Dim.B | Dim.C | Dim.D |
|-------------------|------|-------|-------|-------|-------|
| TSA1-01603-00TX   |      | 11.90 | 9.00  | 4.00  | 10.25 |
| TSA1-01604-00TX   |      | 13.90 | 11.00 | 6.00  | 12.25 |
| * TSA1-01605-00TX |      | 15.90 | 13.00 | 8.00  | 14.25 |
| TSA1-01606-00TX   |      | 17.90 | 15.00 | 10.00 | 16.25 |
| TSA1-01607-00TX   |      | 19.90 | 17.00 | 12.00 | 18.25 |
| TSA1-01608-00TX   |      | 21.90 | 19.00 | 14.00 | 20.25 |
| TSA1-01609-00TX   |      | 23.90 | 21.00 | 16.00 | 22.25 |
| TSA1-01610-00TX   |      | 25.90 | 23.00 | 18.00 | 24.25 |

(\*Mass Product)



**Recommended P.C.B. Layout**  
 Layout Tolerance = ± 0.05 mm

|                                      |            |  |  |                     |  |
|--------------------------------------|------------|--|--|---------------------|--|
| DIMENSION IN mm [inch]               |            |  | Title <b>2.0mm Pitch Battery Conn. Male Type</b> |                     |  |
| Tolerance unless otherwise specified |            |  | Dwg No. <b>TSA1-016XX-00TX</b>                   |                     |  |
| X. ±                                 | X.' ± 10'  | File No. <b>PO6007</b>                             |  | Scale: <b>4 : 1</b> |  |
| X.X ± 0.38                           | X.X' ± 5'  | CUSTOMER DRAWING<br>Approver: _____ Checker: _____ |  | Size: <b>A 4</b>    |  |
| X.XX ± 0.25                          | X.XX' ± 2' |  |  | Rev : <b>A</b>      |  |
| X.XXX ± 0.13                         | X.XXX' ±   | Drawer: <b>Alan</b><br><b>05/10/2006</b>           |  | Sheet: <b>1 / 1</b> |  |