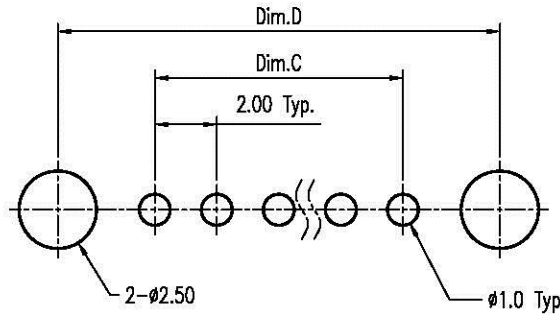
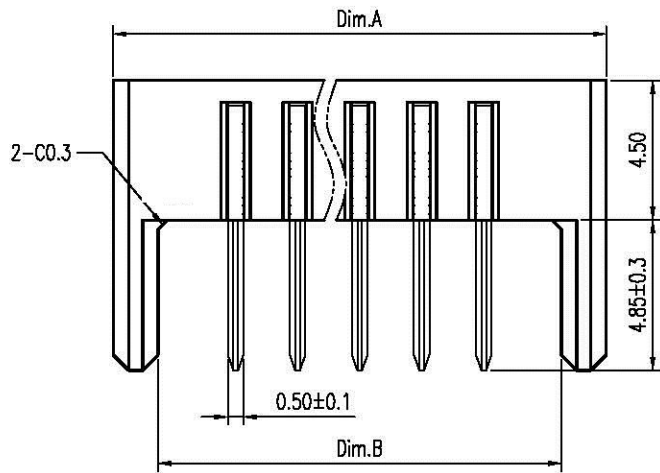
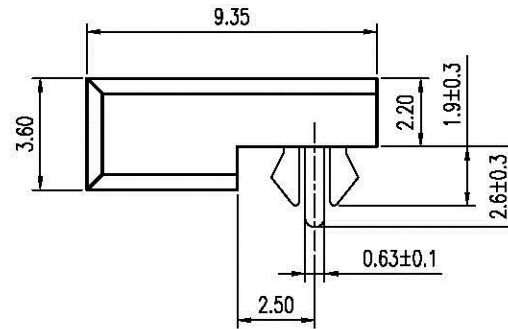
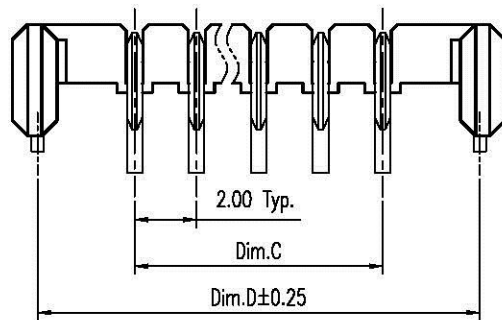


REV.	DESCRIPTION	ECN NO.	DATE	DRAWER
A	New Release		08/26/2005	Alan
B	Modified by Customer Design	EC0512017	12/13/2005	Alan
C	Added Plating Option	EC0706032	06/20/2007	Kelly
D	Added Plating Option Δ x 1	EC0910036	10/12/2009	Blythe



Recommended P.C.B. Layout
Layout Tolerance = ± 0.05 mm



Notes: 1. Material :

Terminal : Copper Alloy
Boardlock : Copper Alloy

2. Finish :

Terminal : Selected Gold on Contact Area,
G/F on Solder Tails, Both over
50u" Min. Ni Under-plated Overall

Boardlock : G/F Overall

3. Order Information :

T SA1-015 XX -0 X T X

T: RoHS(High Temperature)

Amount of Pins:

03: 3 Pins

5 5

08: 8 Pins

The Option of Terminal Material:

0: Brass

1: Phosphor Bronze

Δ Plating Option:

2: 2u" Min. Gold on Contact Area

3: 5u" Min. Gold on Contact Area

4: 10u" Min. Gold on Contact Area

8: 30u" Min. Gold on Contact Area

Part No.	Dim.	Amount of Pins	Dim.A	Dim.B	Dim.C	Dim.D
TSA1-01503-0XTX	3		11.90	9.00	4.00	10.25
TSA1-01504-0XTX	4		13.90	11.00	6.00	12.25
* TSA1-01505-0XTX	5		15.90	13.00	8.00	14.25
* TSA1-01506-0XTX	6		17.90	15.00	10.00	16.25
* TSA1-01507-0XTX	7		19.90	17.00	12.00	18.25
* TSA1-01508-0XTX	8		21.90	19.00	14.00	20.25

(* Mass Product)

DIMENSION IN mm [inch]		All Connectors		Title	2.0mm Pitch Battery Conn. Male Type	
Tolerance unless otherwise specified		www.allconnectors.com		Dwg No.	TSA1-015XX-0XTX	
X.	X' $\pm 10'$	info@allconnectors.com		File No.	PO3004	
X.X ± 0.38	X.X' $\pm 5'$	131 0049 202 000004		Scale:	4 : 1	
X.XX ± 0.25	X.XX' $\pm 2'$	73204 Filmerstr. - Germany		Size:	A 4	
X.XXX ± 0.13	X.XXX' \pm	Approver:	Checker:	Drawer:	Blythe	
					10/12/2009	
				Rev :	D	
				Sheet:	1 / 1	