

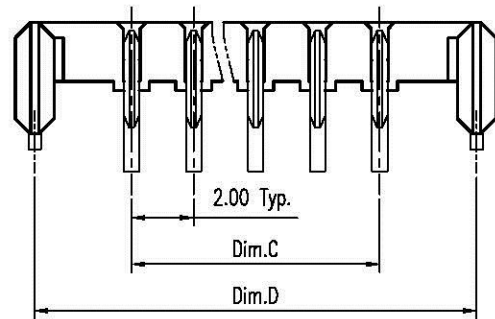
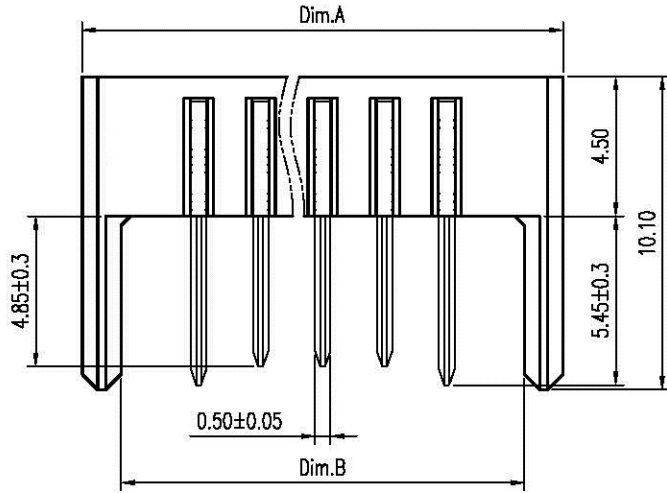
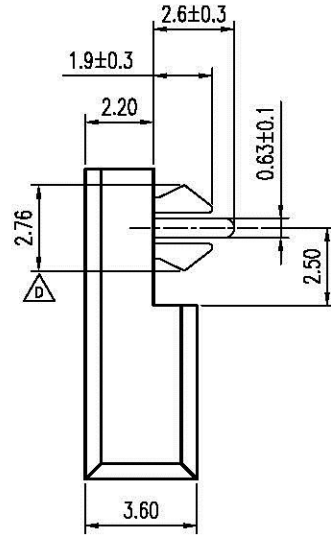
REV.	DESCRIPTION	ECN NO.	DATE	DRAWER
B	Modified by Customer Design	EC0504041	04/24/2005	Alan
C	Modified by Customer Design	EC0707024	07/10/2007	Alan
D	Add Dimension Δ x 1	EC0811031	11/12/2008	Alan

Notes:

- Material :**
 Housing : Thermoplastic , UL 94V-0 , Black
 Terminal : Copper Alloy
 Forklock : Copper Alloy
- Finish :**
 Terminal : Selected Gold on Contact Area, Gold Flash on Solder Tails, Both over 50u" Min. Ni Under-plated Overall
 Forklock : Gold Flash Over 50u" Min. Ni Under-plated Overall.

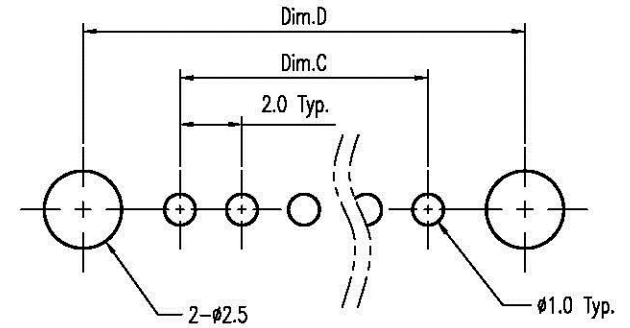
3. Order Information :

TSA1-013 XX -0 X T X	
Amount of Pins	Plating Option
03 : 3 Pins	2 : 3u" Min. Gold on Contact Area
s s	3 : 5u" Min. Gold on Contact Area
08 : 8 Pins	4 : 10u" Min. Gold on Contact Area
	The Option of Terminal Material
	0 : Brass
	1 : Phosphor Bronze



Part No.	Dim.	Dim.A	Dim.B	Dim.C	Dim.D
TSA1-01303-OXTX		11.50	9.00	4.00	10.25
TSA1-01304-OXTX		13.50	11.00	6.00	12.25
* TSA1-01305-OXTX		15.50	13.00	8.00	14.25
* TSA1-01306-OXTX		17.50	15.00	10.00	16.25
* TSA1-01307-OXTX		19.50	17.00	12.00	18.25
TSA1-01308-OXTX		21.50	19.00	14.00	20.25

(* = Mass Product)



Recommended P.C.B. Layout
 Layout Tolerance = ± 0.05 mm

DIMENSION IN mm [inch]		All Connectors		Title	2.0mm Pitch Battery Conn. Male Type	
Tolerance unless otherwise specified		www.allconnectors.com info@allconnectors.com		Dwg No.	TSA1-013XX-OXTX	
X. ±	X.' ± 10'	1461, 1066, 211, 1002046		File No.	P01001	
X.X ± 0.38	X.X' ± 5'	70734 Filderstadt - Germany		Scale:	4 : 1	
X.XX ± 0.25	X.XX' ± 2'	CUSTOMER DRAWING		Size:	A 4	
X.XXX ± 0.13	X.XXX' ±			Apprver:	Checker:	Drawer:
						Rev : D
						Sheet: 1 / 1