

REV.	DESCRIPTION	ECN NO.	DATE	DRAWER
A	New Release		03/23/2009	Steven

Notes:

- Material :
Housing : Thermoplastic UL 94V-0, Black
Terminal : Copper Alloy
- Finish :
Terminal : Selected Gold on Contact Area,
G/F on Solder Tails, Both over
Ni Under-plated Overall
- Order Information :

T SA0-067 XX -08T X

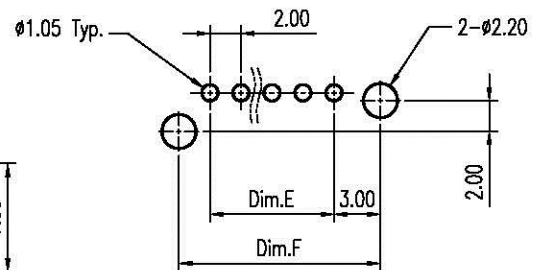
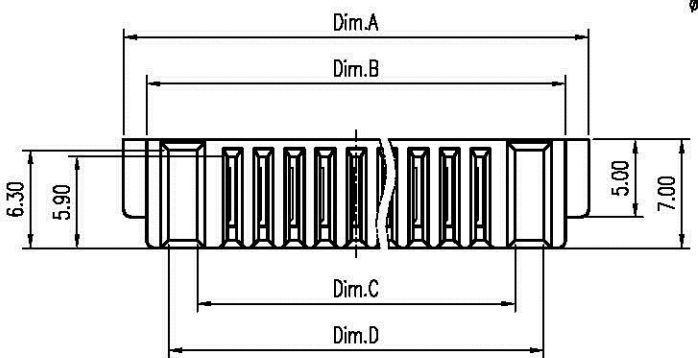
T : RoHS (for High Temperature)

Amount of Pins:

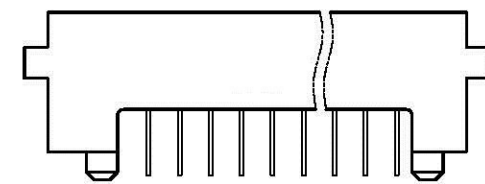
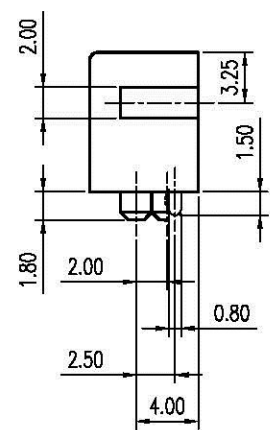
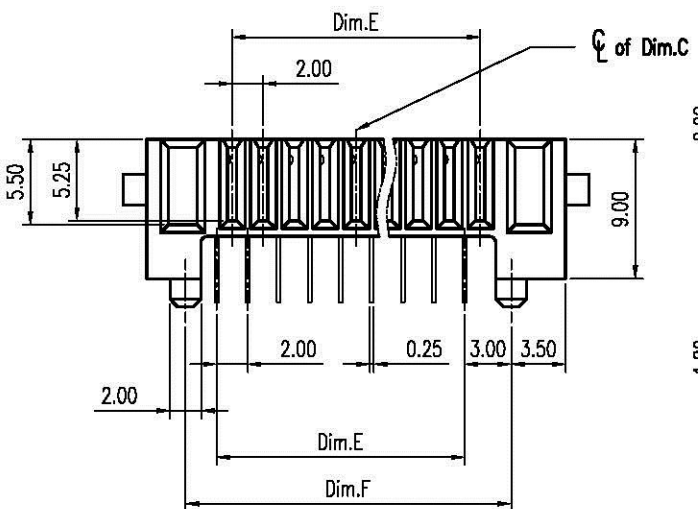
- 06 : 6 Pins
- 2
- 10 : 10 Pins
- A0 : 11 Pins
- B0 : 12 Pins

Plating Option:

- 2 : 2u" Min. Gold on Contact Area
- 3 : 5u" Min. Gold on Contact Area
- 4 : 10u" Min. Gold on Contact Area
- 5 : 15u" Min. Gold on Contact Area
- 8 : 30u" Min. Gold on Contact Area



Recommended P.C.B. Layout
Layout Tolerance = ± 0.05 mm



Dimension Information:

Part No.	Dim.	Dim.A	Dim.B	Dim.C	Dim.D	Dim.E	Dim.F
TSAO-06706-08TX	24.0	21.0	14.5	18.2	10.0	15.0	
TSAO-06707-08TX	26.0	23.0	16.5	20.2	12.0	17.0	
TSAO-06708-08TX	28.0	25.0	18.5	22.2	14.0	19.0	
TSAO-06709-08TX	30.0	27.0	20.5	24.2	16.0	21.0	
TSAO-06710-08TX	32.0	29.0	22.5	26.2	18.0	23.0	
TSAO-067A0-08TX	34.0	31.0	24.5	28.2	20.0	25.0	
TSAO-067B0-08TX	36.0	33.0	26.5	30.2	22.0	27.0	

DIMENSION IN mm [inch]	
Tolerance unless otherwise specified	
X. ±	X.' ± 10'
X.X ± 0.38	X.X' ± 5'
X.XX ± 0.25	X.XX' ± 2'
X.XXX ± 0.13	X.XXX' ±

All Connectors
 www.allconnectors.com
 info@allconnectors.com
 Tel: 0849 413 2036/08
 Fax: 0849 413 2039/04
 70/94-Hilzstraße 66-Münster
 Kollernstraße 23

Title	2.0mm Pitch Battery Conn. Female Type
Dwg No.	TSAO-067XX-08TX
File No.	P02015
Apprver:	Checker:
Drawer:	Steven
Date:	03/23/2009

Scale:	2 : 1
Size:	A 4
Rev :	A
Sheet:	1 / 1