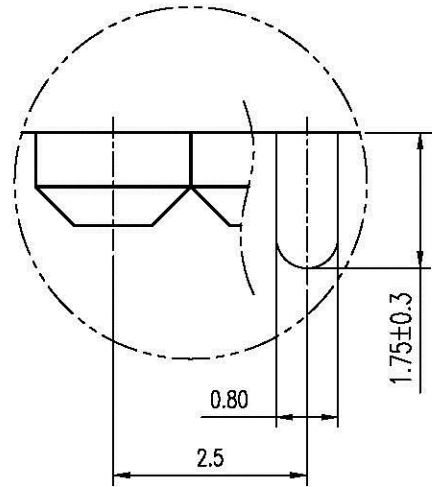
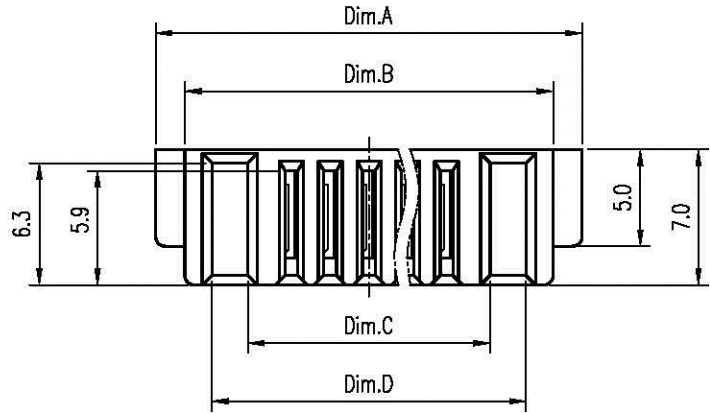


REV.	DESCRIPTION	ECN NO.	DATE	DRAWER
A	New Release		05/14/2008	Steven



**Notes:**

1. Material :  
Housing : Thermoplastic UL 94V-0, Black  
Terminal : Copper Alloy
2. Finish :  
Terminal : Selected Gold on Contact Area, G/F on Solder Tails, Both over 40u" Min. Ni Under-plated Overall
3. Order Information :

T SA0-066 XX -05T X

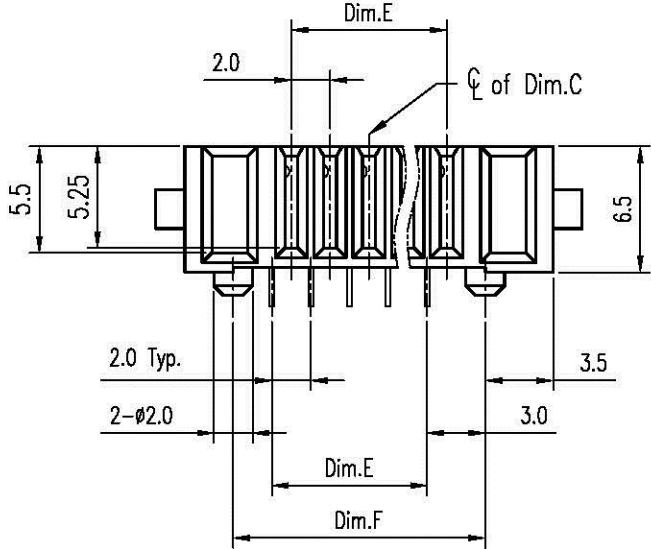
T : RoHS (for High Temperature)

**Plating**

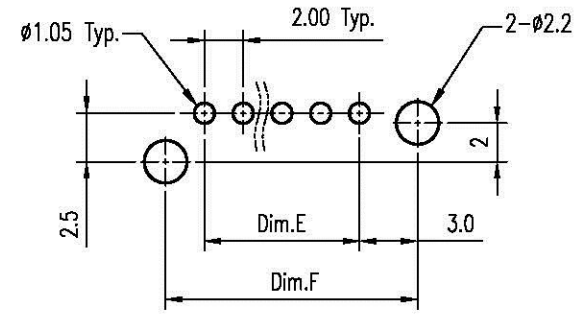
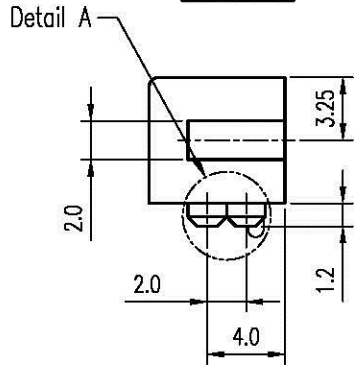
- 2 : 2u" Min. Gold on Contact Area
- 3 : 5u" Min. Gold on Contact Area
- 4 : 10u" Min. Gold on Contact Area
- 5 : 15u" Min. Gold on Contact Area
- 8 : 30u" Min. Gold on Contact Area

**Amount of Pins:**

- 05 : 5 Pins
- ?
- 10 : 10 Pins
- A0 : 11 Pins
- B0 : 12 Pins



**Detail A Scale 10:1**



**Recommended P.C.B. Layout**  
Layout Tolerance = ± 0.05 mm

**Dimension Information:**

Part No.	Dim.	Dim.A	Dim.B	Dim.C	Dim.D	Dim.E	Dim.F
TSA0-06605-05TX	22.0	19.0	12.5	16.2	8.0	13.0	
TSA0-06606-05TX	24.0	21.0	14.5	18.2	10.0	15.0	
TSA0-06607-05TX	26.0	23.0	16.5	20.2	12.0	17.0	
TSA0-06608-05TX	28.0	25.0	18.5	22.2	14.0	19.0	
TSA0-06609-05TX	30.0	27.0	20.5	24.2	16.0	21.0	
TSA0-06610-05TX	32.0	29.0	22.5	26.2	18.0	23.0	
TSA0-066A0-05TX	34.0	31.0	24.5	28.2	20.0	25.0	
TSA0-066B0-05TX	36.0	33.0	26.5	30.2	22.0	27.0	

DIMENSION IN mm [inch]	
Tolerance unless otherwise specified	
X. ± 0.38	X.' ± 10'
X.X ± 0.25	X.X' ± 5'
X.XX ± 0.13	X.XX' ± 2'
X.XXX ±	X.XXX' ±



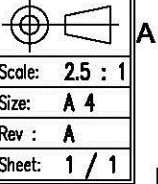
www.allconnectors.de  
Toll: 0340 711 7000/01  
Voll: 0340 211 7000/02  
Kontakt: 0340 711 7000/03

**CUSTOMER DRAWING**

Approver: \_\_\_\_\_ Checker: \_\_\_\_\_

Title: 2.0 mm Battery Conn. Female Type  
Dwg No. TSA0-066XX-05TX  
File No. PO2015

Drawer: Steven  
05/14/2008



Scale: 2.5 : 1  
Size: A 4  
Rev : A  
Sheet: 1 / 1