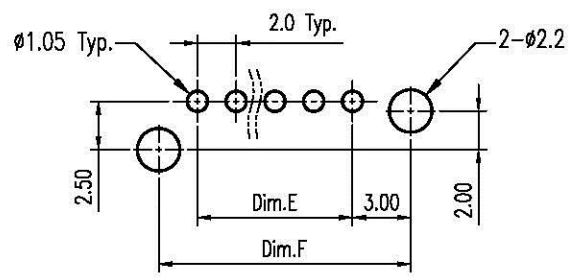
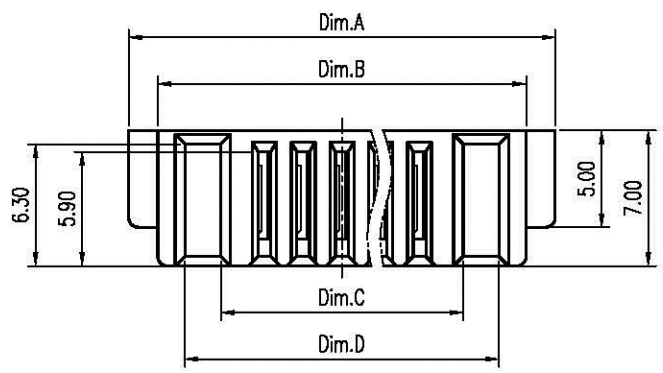


REV.	DESCRIPTION	ECN NO.	DATE	DRAWER
A	New Release	--	10/24/2008	Tom



Recommended P.C.B. Layout
Layout Tolerance = ± 0.05 mm

Notes:

- Material :
Housing : Thermoplastic UL 94V-0, Black
Terminal : Copper Alloy
- Finish :
Terminal : Selected Gold on Contact Area,
G/F on Solder Tails, Both over
Ni Under-plated Overall
- Order Information :
SA0-063 XX -08T X

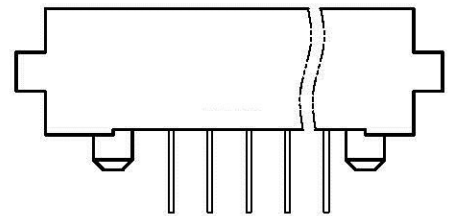
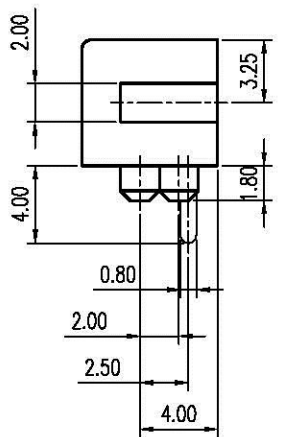
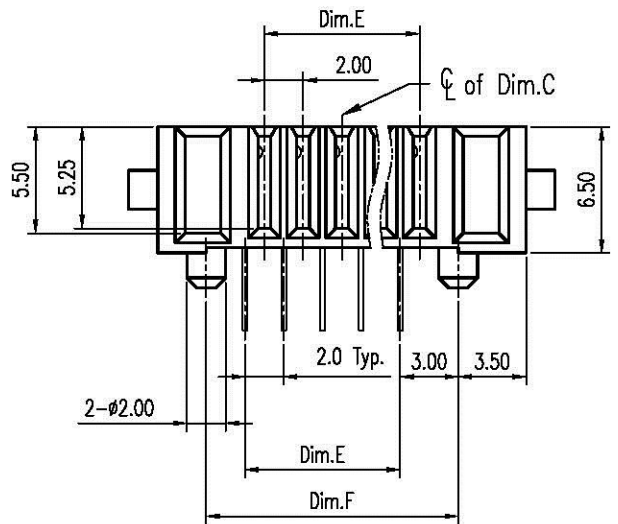
T : RoHS (for High Temperature)

Amount of Pins:

- 06 : 6 Pins
- 10 : 10 Pins
- A0 : 11 Pins
- B0 : 12 Pins

Plating Option:

- 2 : 2u" Min. Gold on Contact Area
- 3 : 5u" Min. Gold on Contact Area
- 4 : 10u" Min. Gold on Contact Area
- 5 : 15u" Min. Gold on Contact Area
- 8 : 30u" Min. Gold on Contact Area



Dimension Information:

Part No.	Dim.	Dim.A	Dim.B	Dim.C	Dim.D	Dim.E	Dim.F
TSAO-06306-08TX		24.0	21.0	14.5	18.2	10.0	15.0
TSAO-06307-08TX		26.0	23.0	16.5	20.2	12.0	17.0
TSAO-06308-08TX		28.0	25.0	18.5	22.2	14.0	19.0
TSAO-06309-08TX		30.0	27.0	20.5	24.2	16.0	21.0
TSAO-06310-08TX		32.0	29.0	22.5	26.2	18.0	23.0
TSAO-063A0-08TX		34.0	31.0	24.5	28.2	20.0	25.0
TSAO-063B0-08TX		36.0	33.0	26.5	30.2	22.0	27.0

DIMENSION IN mm [inch]	
Tolerance unless otherwise specified	
X.	X.' ± 10'
X.X ± 0.38	X.X' ± 5'
X.XX ± 0.25	X.XX' ± 2'
X.XXX ± 0.13	X.XXX' ±

All Connectors
www.allconnectors.de
TAL: 0049 711 7000501
70734 Milderbach - Germany

CUSTOMER DRAWING

Approver: _____
Checker: _____

Title: 2.0 mm Battery Conn. Female Type

Dwg No. TSAO-063XX-08TX

File No. PO2015

Drawer: Tom

10/24/2008

Scale: 2.5 : 1

Size: A 4

Rev : A

Sheet: 1 / 1