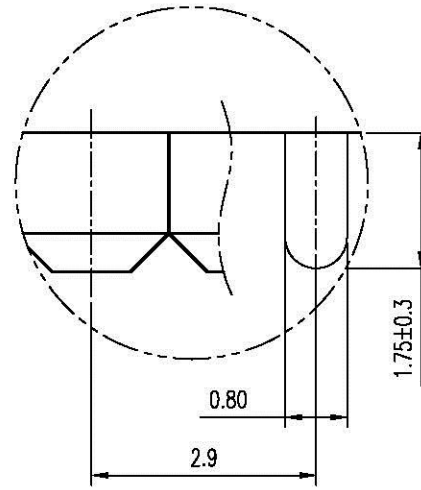
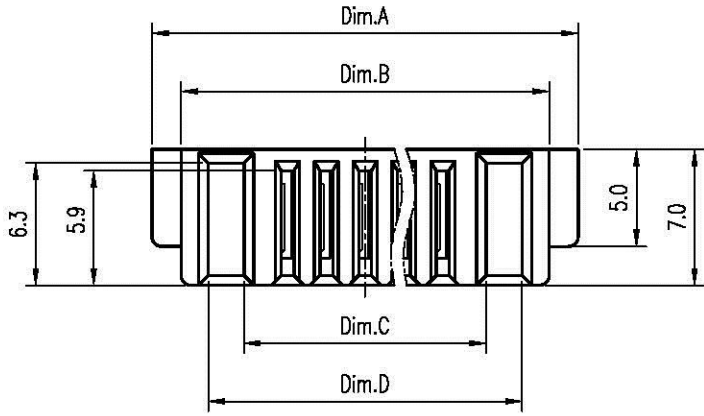


REV.	DESCRIPTION	ECN NO.	DATE	DRAWER
D	Added Type.	EC0605042	05/24/2006	Jeff
E	Added Type.	DECN070105	01/12/2007	H.e.g
F	Modified Amount of Pins Option	DECN070301	03/05/2007	H.e.g



Notes:

- Material :
Housing : Thermoplastic UL 94V-0, Black
Terminal : Copper Alloy
- Finish :
Terminal : Selected Gold on Contact Area, 1u" Min. Gold on Solder Tails, Both over 40u" Min. Ni Under-plated Overall
- Order Information :

T SA0-063 XX -07T X

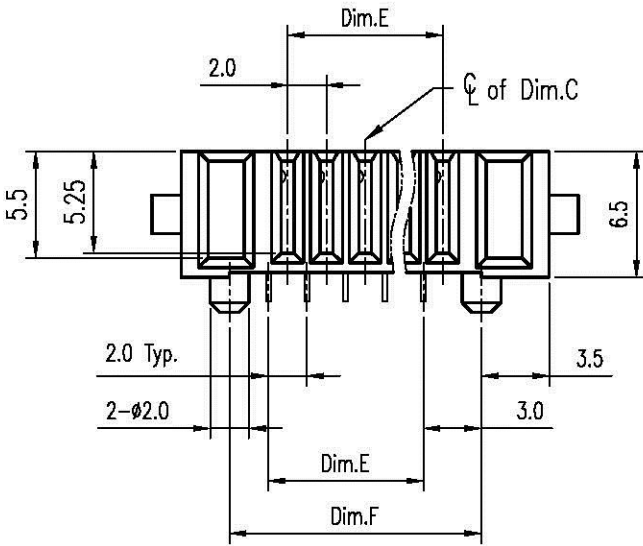
T : RoHS (for High Temperature)

Plating

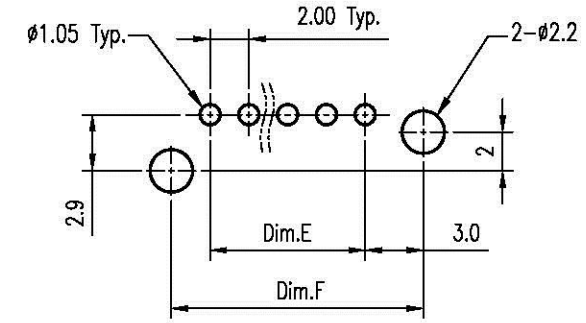
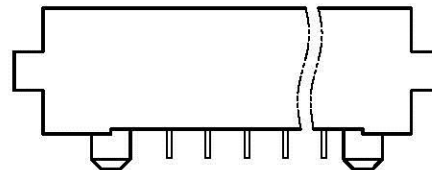
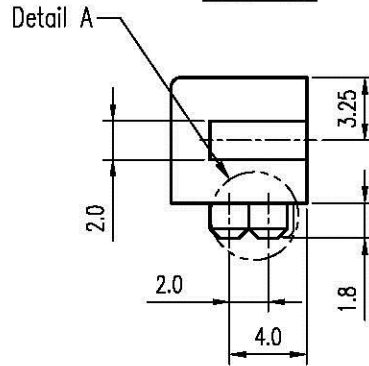
- 2 : 2u" Min. Gold on Contact Area
- 3 : 5u" Min. Gold on Contact Area
- 4 : 10u" Min. Gold on Contact Area
- 8 : 30u" Min. Gold on Contact Area

Amount of Pins:

- 06 : 6 Pins
- 10 : 10 Pins
- A0 : 11 Pins
- B0 : 12 Pins



Detail A Scale 10:1



Recommended P.C.B. Layout
Layout Tolerance = ± 0.05 mm

Dimension Information:

Part No.	Dim.	Dim.A	Dim.B	Dim.C	Dim.D	Dim.E	Dim.F
TSA0-06306-07TX		24.0	21.0	14.5	18.2	10.0	15.0
TSA0-06307-07TX		26.0	23.0	16.5	20.2	12.0	17.0
TSA0-06308-07TX		28.0	25.0	18.5	22.2	14.0	19.0
TSA0-06309-07TX		30.0	27.0	20.5	24.2	16.0	21.0
TSA0-06310-07TX		32.0	29.0	22.5	26.2	18.0	23.0
TSA0-063A0-07TX		34.0	31.0	24.5	28.2	20.0	25.0
TSA0-063B0-07TX		36.0	33.0	26.5	30.2	22.0	27.0

DIMENSION IN mm [inch]	
Tolerance unless otherwise specified	
X. ± 0.38	X.' ± 10'
X.X ± 0.25	X.X' ± 5'
X.XX ± 0.13	X.XX' ± 2'
X.XXX ±	X.XXX' ±

Allconnectors
www.allconnectors.de
Tel: 069 71 200503
30739 Elpershausen - Germany
Info: allconnectors.de
Fax: 069 71 200504
Items marked * are

CUSTOMER DRAWING

Approver:

Checker:

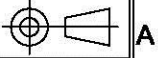
Drawer: **H.e.g**

03/05/2007

Title **2.0 mm Battery Conn. Female Type**

Dwg No. **TSA0-063XX-07TX**

File No. **P02015**



Scale: **2.5 : 1**

Size: **A 4**

Rev : **F**

Sheet: **1 / 1**