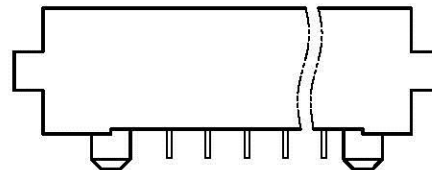
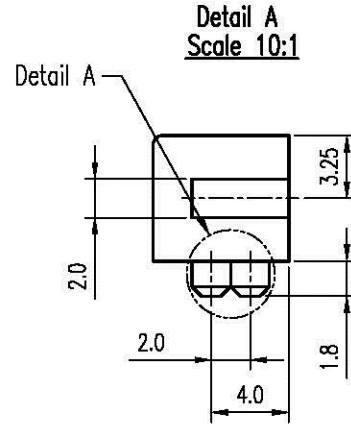
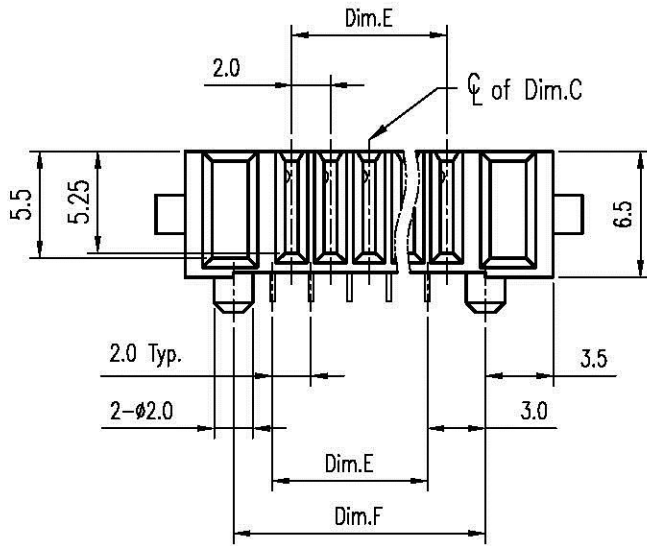
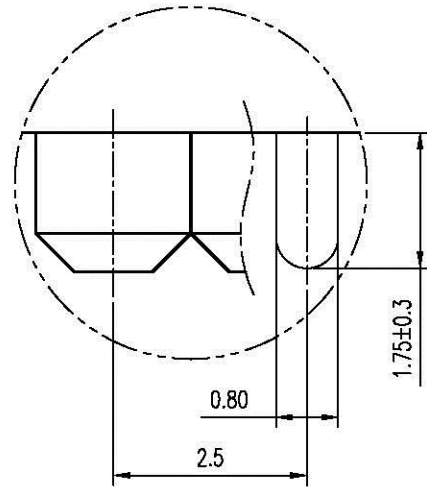
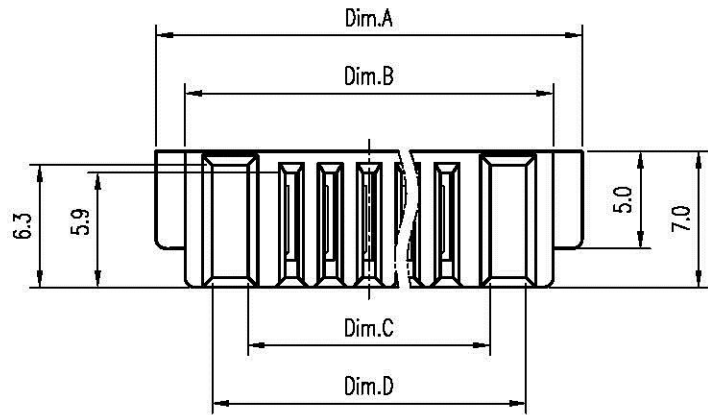


REV.	DESCRIPTION	ECN NO.	DATE	DRAWER
F	Modified Amount of Pins Option	DECN070301	03/05/2007	H.e.g
G	Added Plating Option	EC0704057	04/30/2007	Anny



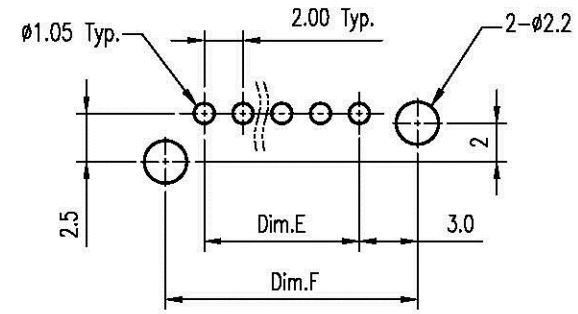
Notes:

- Material :**
Housing : Thermoplastic UL 94V-0, Black
Terminal : Copper Alloy
- Finish :**
Terminal : Selected Gold on Contact Area, 1u" Min. Gold on Solder Tails, Both over 40u" Min. Ni Under-plated Overall
- Order Information :**
T SA0-063 XX -05T X

T : RoHS (for High Temperature)

Plating
 2 : 2u" Min. Gold on Contact Area
 3 : 5u" Min. Gold on Contact Area
 4 : 10u" Min. Gold on Contact Area
 5 : 15u" Min. Gold on Contact Area
 8 : 30u" Min. Gold on Contact Area

Amount of Pins:
 06 : 6 Pins
 ?
 10 : 10 Pins
 A0 : 11 Pins
 B0 : 12 Pins



Recommended P.C.B. Layout
 Layout Tolerance = ± 0.05 mm

Dimension Information:

Part No.	Dim.	Dim.A	Dim.B	Dim.C	Dim.D	Dim.E	Dim.F
TSA0-06306-05TX		24.0	21.0	14.5	18.2	10.0	15.0
TSA0-06307-05TX		26.0	23.0	16.5	20.2	12.0	17.0
TSA0-06308-05TX		28.0	25.0	18.5	22.2	14.0	19.0
TSA0-06309-05TX		30.0	27.0	20.5	24.2	16.0	21.0
TSA0-06310-05TX		32.0	29.0	22.5	26.2	18.0	23.0
TSA0-063A0-05TX		34.0	31.0	24.5	28.2	20.0	25.0
TSA0-063B0-05TX		36.0	33.0	26.5	30.2	22.0	27.0

DIMENSION IN mm [inch]		All Connectors	
Tolerance unless otherwise specified			
X.	± 0.38	X'	± 10'
X.X	± 0.25	X.X'	± 5'
X.XX	± 0.13	X.XX'	± 2'
X.XXX	±	X.XXX'	±

Title	2.0 mm Battery Conn. Female Type	
Dwg No.	TSA0-063XX-05TX	
File No.	PO2015	Scale: 2.5 : 1
Apprver:	Checker:	Size: A 4
Approver: _____ Checker: _____		Rev: G
Title: 2.0 mm Battery Conn. Female Type Dwg No.: TSA0-063XX-05TX File No.: PO2015		Sheet: 1 / 1 Date: 04/30/2007