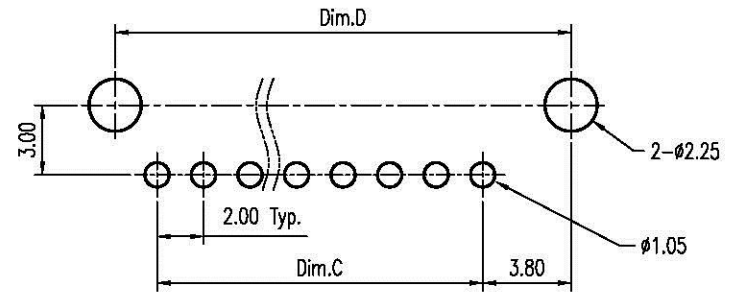
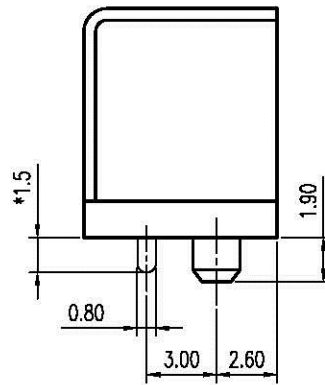
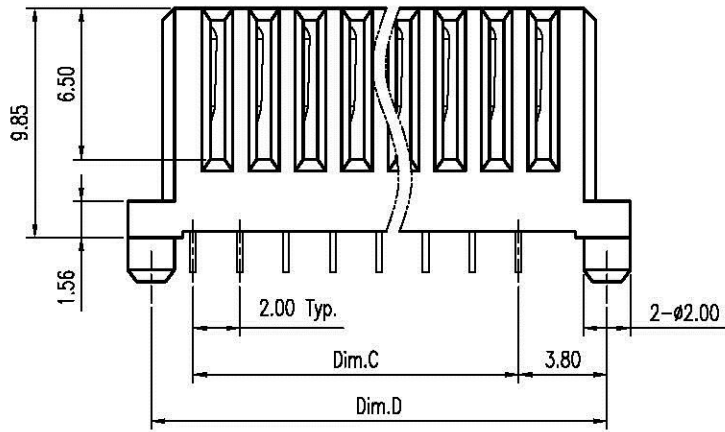
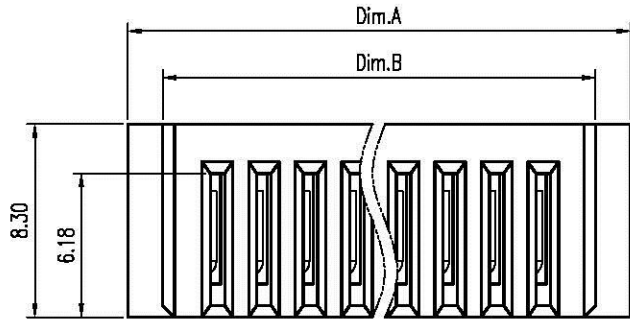


REV.	DESCRIPTION	ECN NO.	DATE	DRAWER
A	New Released		03/12/2010	Hyde



Notes:

- Material :  
Housing : Thermoplastic UL 94V-0, Black  
Terminal : Copper Alloy
- Finish :  
Terminal : Selected Gold on Contact Area,  
Gold Flash on Solder Tails,  
Both over 40u" Ni Under-plated Overall
- Order Information :

T SA0-031 XX -52T X A

T : RoHS (for High Temperature)

Amount of Pins:

- 05 : 5 Pins
- 10 : 10 Pins

Plating Option:

- 2 : 2u" Gold on Contact Area
- 3 : 5u" Gold on Contact Area

Dimension Information:

Part No.	Dim.	Amount of Pins	Dim.A	Dim.B	Dim.C	Dim.D
TSA0-03105-52TXA	5	5	15.60	12.60	8.00	13.60
TSA0-03106-52TXA	6	6	17.60	14.60	10.00	15.60
TSA0-03107-52TXA	7	7	19.60	16.60	12.00	17.60
TSA0-03108-52TXA	8	8	21.60	18.60	14.00	19.60
TSA0-03109-52TXA	9	9	23.60	20.60	16.00	21.60
TSA0-03110-52TXA	10	10	25.60	22.60	18.00	23.60

DIMENSION IN mm [inch]	
Tolerance unless otherwise specified	
X.	X.' ± 10'
X.X ± 0.38	X.X' ± 5'
X.XX ± 0.25	X.XX' ± 2'
X.XXX ± 0.13	X.XXX' ±

All Connectors

www.allconnectors.de  
Tel: +49 919 211 200550  
Fax: +49 919 211 200551  
info@allconnectors.de  
Kettelerstraße 22

Title 2.0mm Pitch Battery Conn. Female Type

Dwg No. TSA0-031XX-52TXA

File No. P03002

Approver:

Checker:

Drawer: Hyde

03/12/2010

