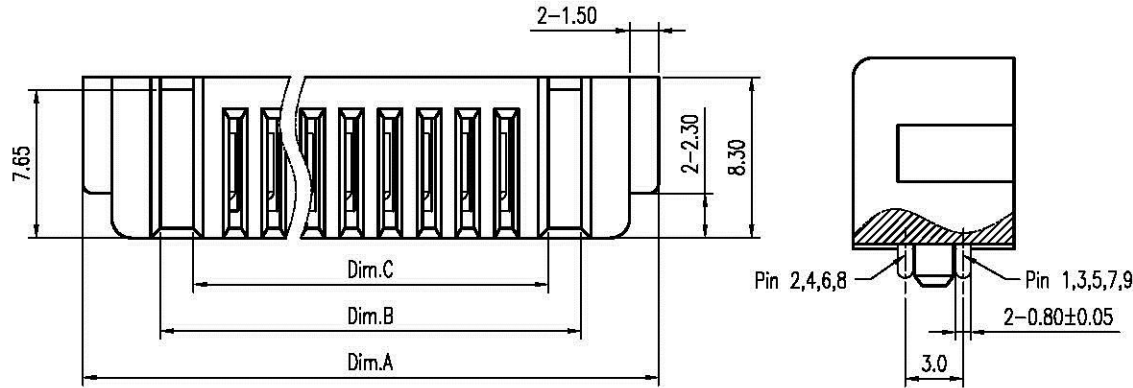


REV.	DESCRIPTION	ECN NO.	DATE	DRAWER
A	New Release		04/18/2006	Edsen
B	Add Plating Option Δ x1	EC0909042	09/15/2009	Hyde



Notes:

- Material :
Housing : Thermoplastic UL 94V-0, Black
Terminal : Copper Alloy
- Finish :
Terminal : Selected Gold on Contact Area,
G/F on Solder Tails,
Both over 40u" Ni Under-plated Overall

3. Order Information :

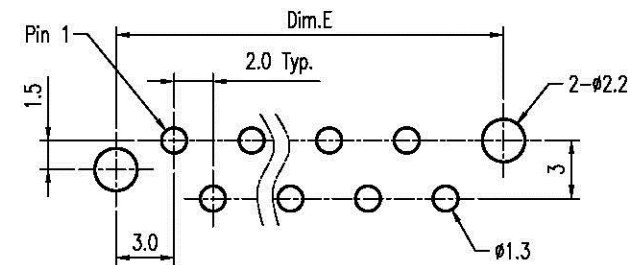
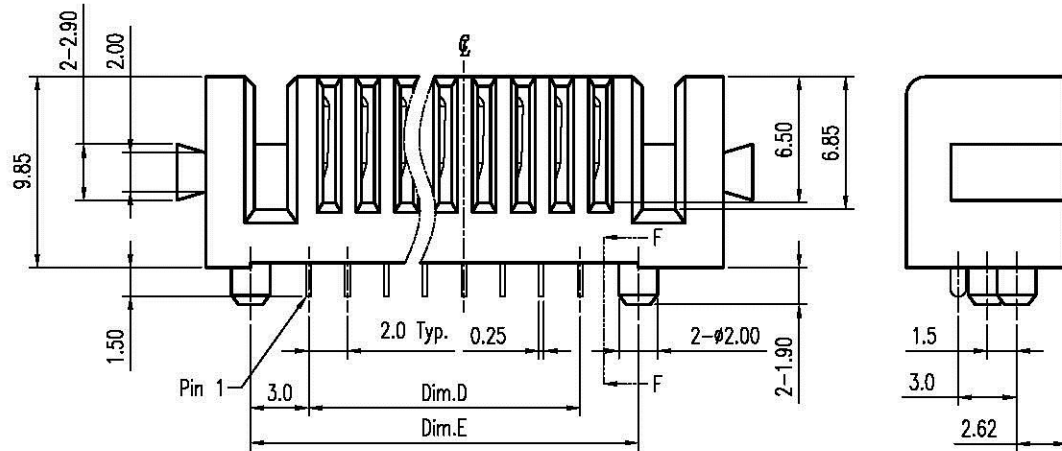
SA0-030 XX -12T X
T : RoHS (for High Temperature)

Amount of Pins

- 04 : 4 Pin
- 05 : 5 Pin
- 09 : 9 Pin

Plating

- 2 : 2u" Gold on Contact Area
- 3 : 5u" Gold on Contact Area
- Δ 5 : 15u" Gold on Contact Area



Dimension Information:

Part No.	Dim.	Amount of Pins	Dim.A	Dim.B	Dim.C	Dim.D	Dim.E
TSA0-03004-12TX	4		21.7	13.7	10.3	6.0	12.0
TSA0-03005-12TX	5		23.7	15.7	12.3	8.0	14.0
TSA0-03006-12TX	6		25.7	17.7	14.3	10.0	16.0
TSA0-03007-12TX	7		27.7	19.7	16.3	12.0	18.0
TSA0-03008-12TX	8		29.7	21.7	18.3	14.0	20.0
TSA0-03009-12TX	9		31.7	23.7	20.3	16.0	22.0

Recommended P.C.B. Layout
Layout Tolerance = ± 0.05 mm

DIMENSION IN mm [inch]		All Connectors		Title 2.0mm Pitch Battery Conn. Female Type		Scale: 2.5 : 1	
Tolerance unless otherwise specified		www.allconnectors.de		Dwg No. TSA0-030XX-12TX		Size: A 4	
X. ± --	X.' ± 10'	info@allconnectors.de		File No. P03002		Rev: B	
X.X ± 0.38	X.X' ± 5'	info@allconnectors.de		Apprver:		Drawer: Hyde	
X.XX ± 0.25	X.XX' ± 2'	01703 Hildersbach - Germany		Checker:		09/15/2009	
X.XXX ± 0.13	X.XXX' ±			Sheet: 1 / 1			