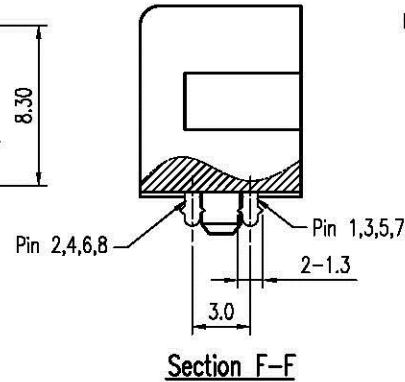
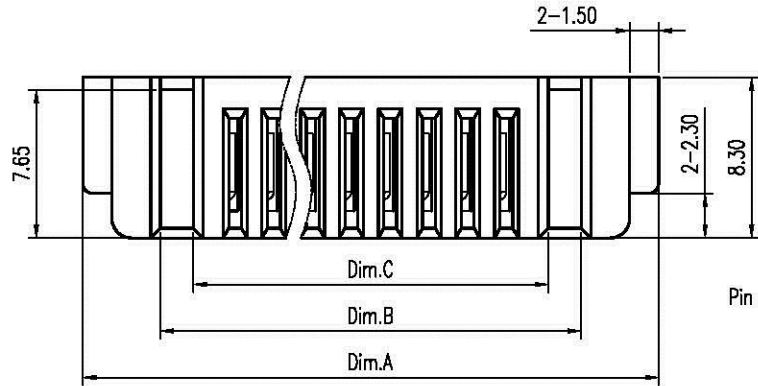
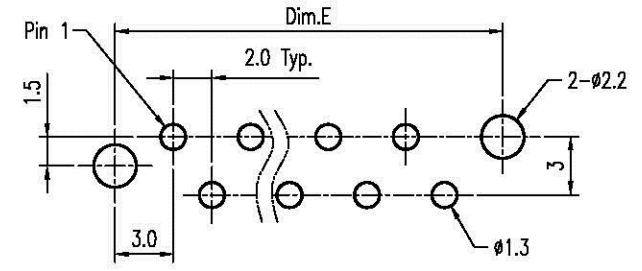
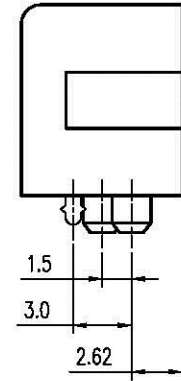
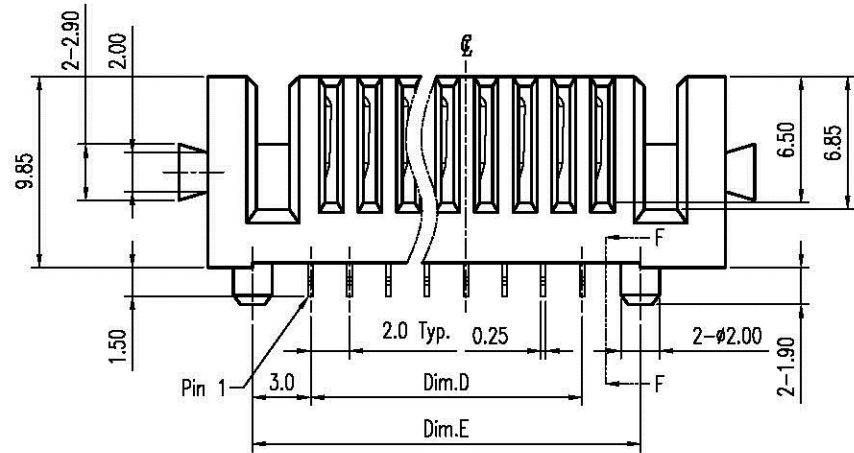


| REV. | DESCRIPTION                       | ECN NO.   | DATE       | DRAWER |
|------|-----------------------------------|-----------|------------|--------|
| E    | Modified by Customer Design       | EC0601038 | 01/18/2006 | Edsen  |
| F    | Add Part No.                      | EC0604021 | 04/18/2006 | Tom    |
| G    | Add Plating Option $\triangle$ x1 | EC0909042 | 09/15/2009 | Hyde   |



- Notes:**
- Material :**  
Housing : Thermoplastic UL 94V-0, Black  
Terminal : Copper Alloy
  - Finish :**  
Terminal : Selected Gold on Contact Area,  
G/F on Solder Tails,  
Both over 40u" Ni Under-plated Overall
  - Order Information :**  
SAO-030 XX -11T X  
T : RoHS (for High Temperature)  
**Amount of Pins**  
04 : 4 Pins  
5  
09 : 9 Pins  
**Plating**  
2 : 2u" Gold on Contact Area  
3 : 5u" Gold on Contact Area  
 $\triangle$  5 : 15u" Gold on Contact Area



**Recommended P.C.B. Layout**  
Layout Tolerance =  $\pm 0.05$  mm

**Dimension Information:**

| Part No.        | Dim. | Amount of Pins | Dim.A | Dim.B | Dim.C | Dim.D | Dim.E |
|-----------------|------|----------------|-------|-------|-------|-------|-------|
| TSAO-03004-11TX | 4    |                | 21.7  | 13.7  | 10.3  | 6.0   | 12.0  |
| TSAO-03005-11TX | 5    |                | 23.7  | 15.7  | 12.3  | 8.0   | 14.0  |
| TSAO-03006-11TX | 6    |                | 25.7  | 17.7  | 14.3  | 10.0  | 16.0  |
| TSAO-03007-11TX | 7    |                | 27.7  | 19.7  | 16.3  | 12.0  | 18.0  |
| TSAO-03008-11TX | 8    |                | 29.7  | 21.7  | 18.3  | 14.0  | 20.0  |
| TSAO-03009-11TX | 9    |                | 31.7  | 23.7  | 20.3  | 16.0  | 22.0  |

**DIMENSION IN mm [inch]**

Tolerance unless otherwise specified

|       |            |        |           |
|-------|------------|--------|-----------|
| X.    | $\pm$ --   | X.'    | $\pm 10'$ |
| X.X   | $\pm 0.38$ | X.X'   | $\pm 5'$  |
| X.XX  | $\pm 0.25$ | X.XX'  | $\pm 2'$  |
| X.XXX | $\pm 0.13$ | X.XXX' | $\pm$     |

**Allconnectors**  
www.allconnectors.de  
Tel.: 0348 711 7089008  
Allconnectors GmbH - Germany  
Info@allconnectors.de  
Fax: 0348 711 7089004  
info@allconnectors.de

**CUSTOMER DRAWING**

Approver: \_\_\_\_\_  
Checker: \_\_\_\_\_

Title: **2.0mm Pitch Battery Conn. Female Type**

Dwg No. **TSAO-030XX-11TX**

File No. **P03002**

Scale: **2.5 : 1**

Size: **A 4**

Rev : **G**

Sheet: **1 / 1**

Drawer: **Hyde**  
09/15/2009

WC00-4B