

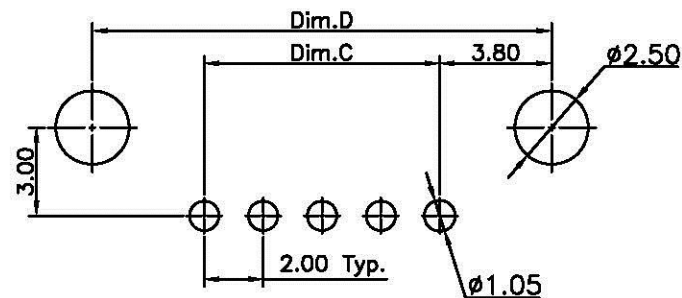
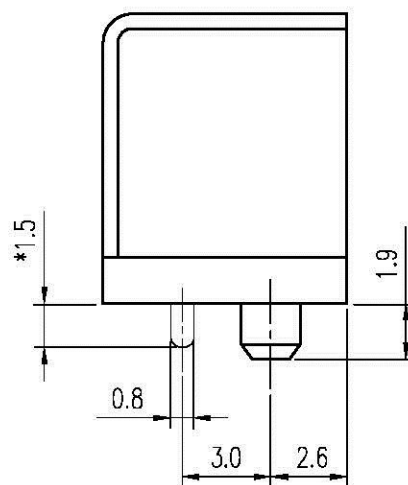
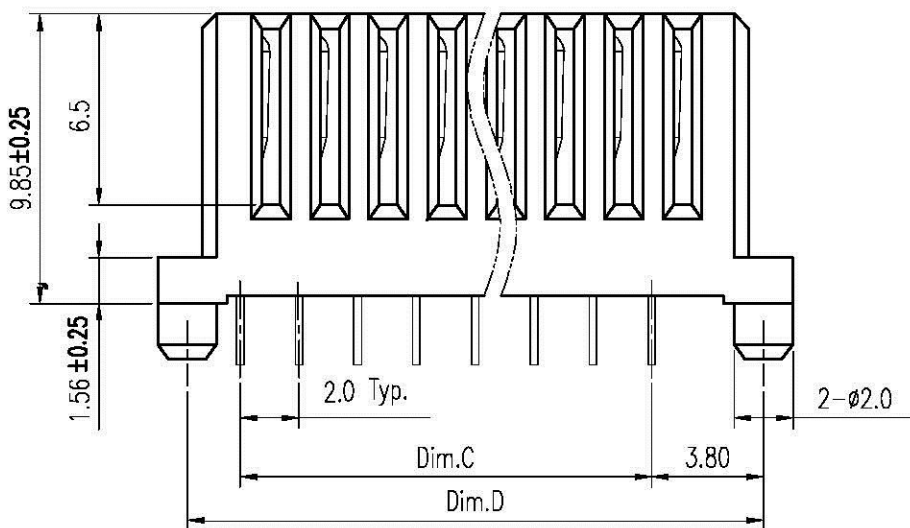
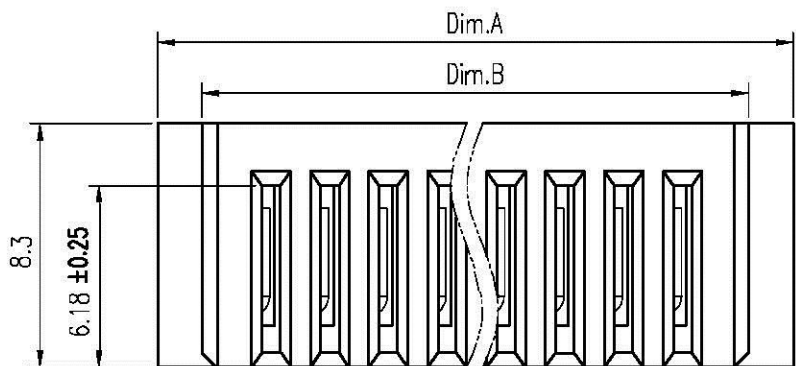
Notes:

- Material :
Housing : Thermoplastic UL 94V-0, Black
Terminal : Copper Alloy
- Finish :
Terminal : Selected Gold on Contact Area,
Gold Flash on Solder Tails,
Both over 40u" Ni Under-plated Overall

52002W00-NP-XX-W2

① ② ③ ④ ⑤

- ① Series No.
- ② W90 : Side Contact
W00 : Up Contact
- ③ No. of Circuits
- ④ OB: 2u".Gold On Contact Area
OE: 5u".Gold On Contact Area
- ⑤ W2: W2 Type



RECOMMEND P.C.B.LAYOUT
Layout Tolerance: ±0.05mm

Circuit No.	Dimensions			
	A	B	C	C
5P	15.60	12.60	8.00	13.60
6P	17.60	14.60	10.00	15.60
7P	19.60	16.60	12.00	17.60
8P	21.60	18.60	14.00	19.60
9P	23.60	20.60	16.00	21.60
10P	25.60	22.60	18.00	23.60

					一般公差 GENERAL TOLERANCE		绘图 DR. 欧阳小强		All Connectors www.allconnectors.de Tel: 0049 (0) 71 7005005 Fax: 0049 (0) 71 7005001 Kulmbach, Germany		料号 PART NO. 52002W00-NP-XX-W2		
					X.X ±0.25	X' ±5'	校对 CHK. 龚友连				文件编号 NUMBER ENDE05		
					X.XX ±0.15	X.X' ±2'	审核 CHK. 龚友连		比例 SCALE			SHEET	
					X.XXX ±0.08	▲ MAJOR DIM.	核准 APPD. 王志刚		品名 TITLE			版次 REV.	
					单位 UNIT	mm	核 准 APPD. 王志刚		2.0mm Pitch Battery Conn			1/1	
					mm							1/1	
												C0	

C0	12.03.28	换图框发行	龚友连	王志刚
版次 REV.	日期 DATE	变更内容 DESCRIPTION	审核 CHK.	核准 APPD.