

REV.	DESCRIPTION	ECN NO.	DATE	DRAWER
A	New Release		04/28/2009	Jeff
B	Change Part Number \triangle_B x4	EC1207023	07/10/2012	Jeff

Notes:

- Material :**
Housing : Thermoplastic UL 94V-0., Black
Terminal : Copper Alloy
- Finish :**
Terminal : Selected Gold on Contact Area, Gold Flash on Solder Tails, Both over 50u" Min. Ni Under-plated Overall

\triangle_B 3. Order Information :

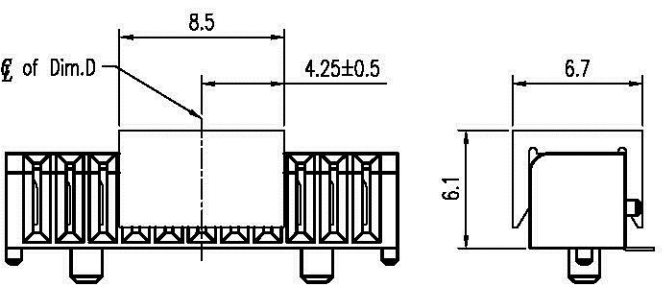
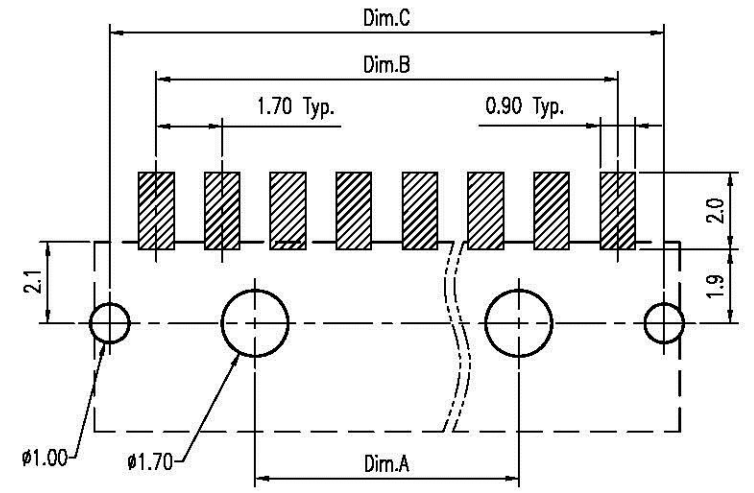
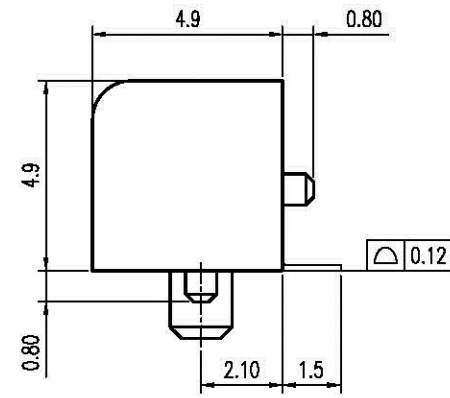
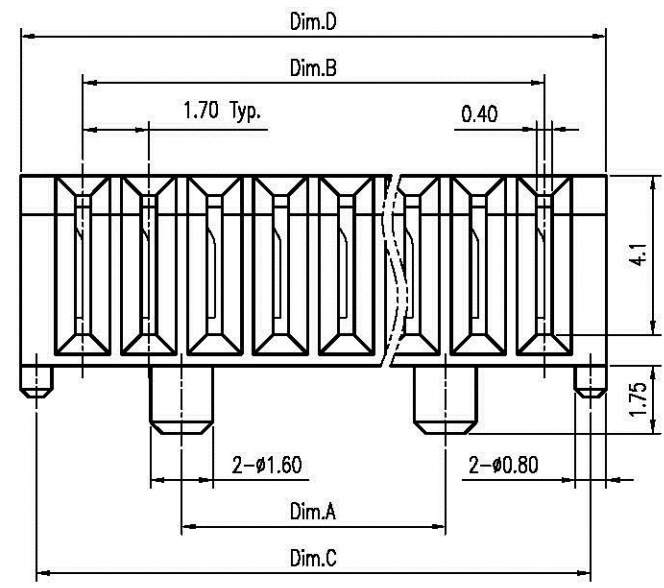
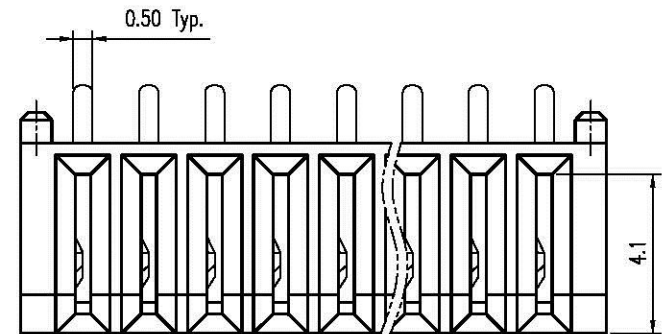
T SNO-050 X 0-00 X X A

T : RoHS(for High Temperature)

Amount of Pins :
8 : 8 Pins
B : 11 Pins

Plating
2 : 2u" Min. Gold on Contact Area
3 : 5u" Min. Gold on Contact Area
4 : 10u" Min. Gold on Contact Area

Packing
T : Tube
1 : Tube + Cap



Dimension Information:

Part No.	Dim.	Dim.A	Dim.B	Dim.C	Dim.D
\triangle_B TSNO-05080-00XXA	6.80	11.90	14.30	15.1	
\triangle_B TSNO-05080-00XXA	11.90	17.00	19.40	20.2	

Recommended P.C.B. Layout
Layout Tolerance = ± 0.05 mm

DIMENSION IN mm [inch] Tolerance unless otherwise specified X. ± 0.38 X.' $\pm 10'$ X.X ± 0.25 X.X' $\pm 5'$ X.XX ± 0.15 X.XX' $\pm 2'$ X.XXX \pm X.XXX' \pm		All Connectors www.allconnectors.de info@allconnectors.de Tel: 0049 731 909040 Fax: 0049 731 909091 20794 Ffaldorf (W) • Germany Kallertstraße 25		Title 1.7mm Pitch Battery Conn. Female Type Dwg No. TSNO-050X0-00XXA \triangle_B File No. PO8026 Scale: 5 : 1 Size: A 4 Rev : B Sheet: 1 / 1	
CUSTOMER DRAWING Approver:		Checker:		Drawer: Jeff 07/10/2012	