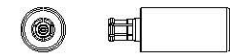
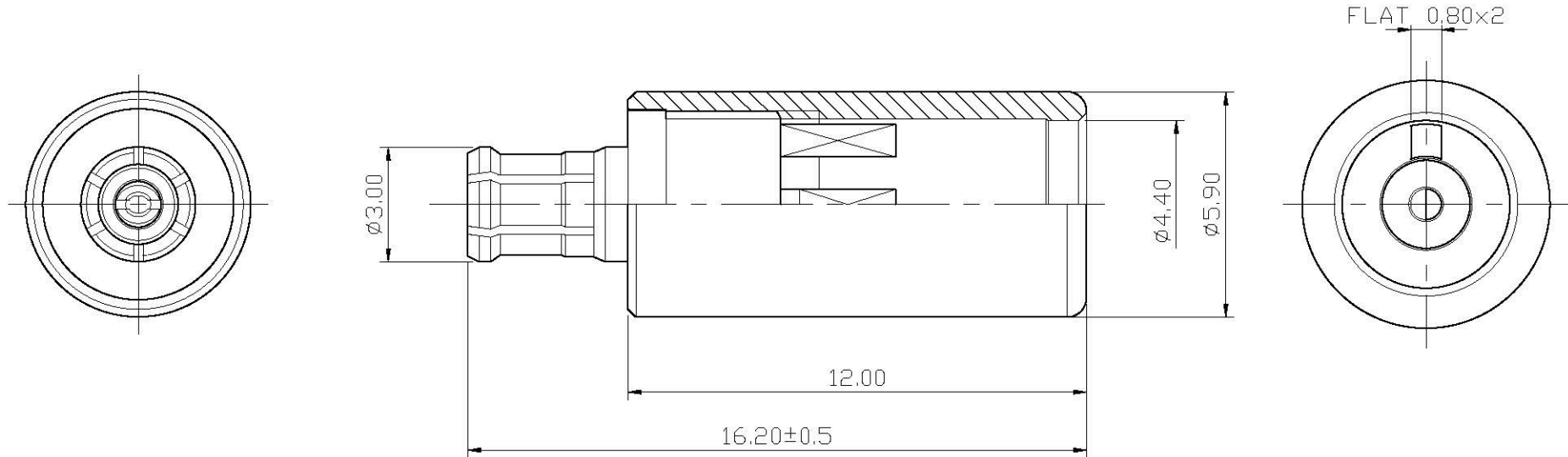



REMARK : RoHS REQUIREMENT APPLIED
(符合RoHS)



S1:1

					DIMENSIONS ARE IN MILLIMETERS			CHECKED	 www.allconnectors.de info@allconnectors.de Tel.: 0049 711 7009503 Fax: 0049 711 7009504 70794 Filderstadt Germany Kettnerstr. 25
					UNLESS OTHERWISE SPECIFIED TOLERANCES (一般公差)			DRAWN	
-					0.5~6 = ±0.2				TITLE
-					>6~30 = ±0.4			Otis	IEM PLUG
-					>30~120 = ±0.6				DRAWING NO.
4	shell	1	aluminum	clear anodic treatment	>120~315 = ±1			DATE	IP-310ATG-TEF-4.4
3	body	1	beryllium copper	gold	>315~1000 = ±1.6			2017. 07. 12	FILE NO. DRAWING\AUDIO\IP\IP-310ATG-TEF-4.4
2	insulator	1	PTFE	white	ANGLES(角度) = ±5°				
1	contact pin	1	beryllium copper	gold					
NO.	Description	Unit	Materials	Finish	Drawing No.	SCALE	6 : 1	UNIT	MM