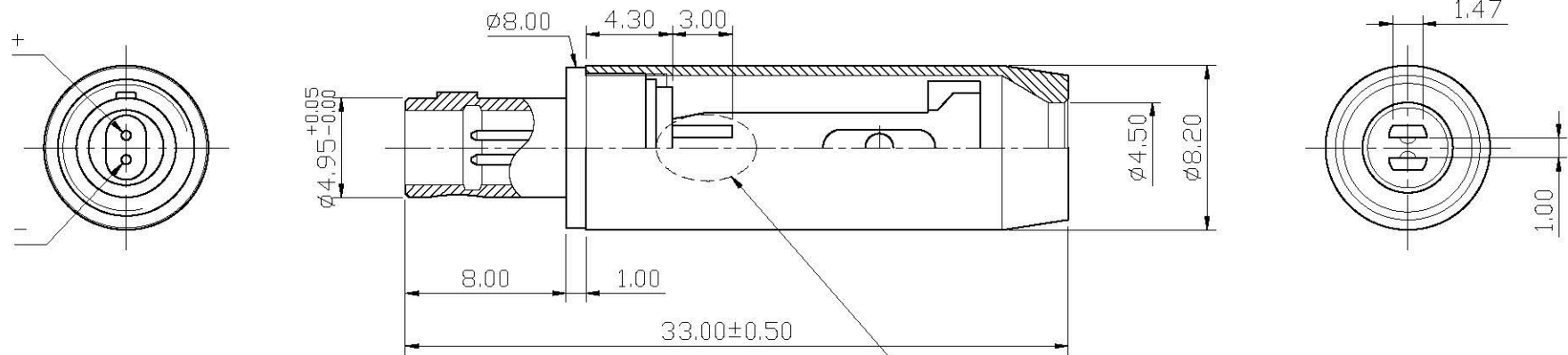
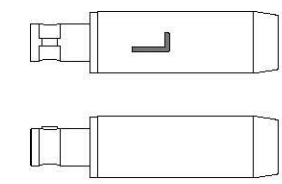


No.	DATE	DESCRIPTION	REV
▲	2018. 04. 16	Drawing revised	A

REMARK : RoHS REQUIREMENT APPLIED
(符合RoHS)



LOGO PAINTING : WHITE
 THE DIRECTION OF THIS LOGO
 CAN'T BE THE SAME
 PLEASE REFER TO THE FONT
 OF THE SAMPLE



S1 : 1

					DIMENSIONS ARE IN MILLIMETERS UNLESS OTHERWISE SPECIFIED TOLERANCES (一般公差) 0.5~6 = ±0.2 >6~30 = ±0.4 >30~120 = ±0.6 >120~315 = ±1 >315~1000 = ±1.6 ANGLES(角度) = ±5°			CHECKED		 www.allconnectors.de info@allconnectors.de Tel.: 0049 711 7009503 Fax: 0049 711 7009504 70794 Filderstadt - Germany Kettenerstr. 25	
								DRAWN			
					DATE		DRAWING NO.		2P HEADPHONE PLUG		
					2017. 03. 08		FILE NO.		IP-210MBATG-PEEK-4.5-L		
NO.	Description	Unit	Materials	Finish	Drawing No.	SCALE	3 : 1	UNIT	MM	AUDIONIP-210MBATG-PEEK-4.5-L	