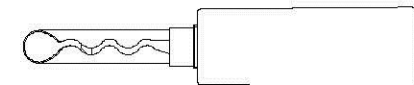
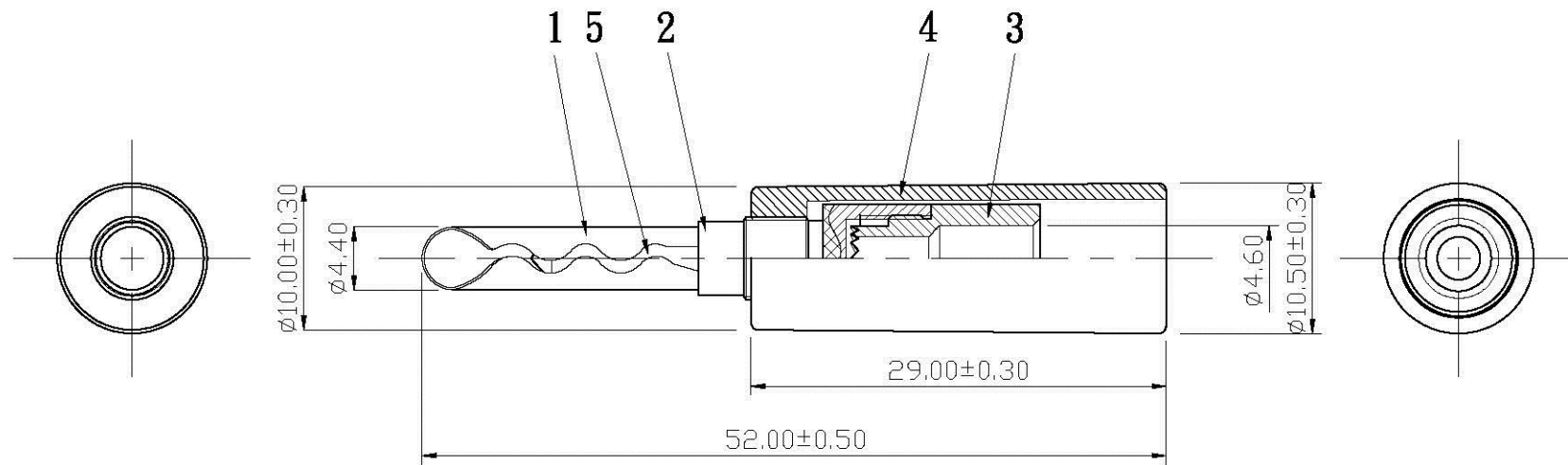



REMARK : RoHS REQUIREMENT APPLIED  
(符合RoHS)



S1:1

NO.	Description	Unit	Materials	Finish	Drawing No.	SCALE	2 : 1	UNIT	MM	CHECKED	 www.allconnectors.de Tel.: 0049 / 71 418514 70794 Filzschlößle - Germany info@allconnectors.de Fax: 0049 / 71 418514 Kellernstr. 25			
-						DIMENSIONS ARE IN MILLIMETERS UNLESS OTHERWISE PECIFIED TOLERANCES (一般公差) 0.5~6 = ±0.2 >6~30 = ±0.4 >30~120 = ±0.6 >120~315 = ±1 >315~1000 = ±1.6 ANGLES(角度) = ±5°								
5	contact pin	1	brass	gold										
4	shell	1	plastic	black/red										
3	headlock	1	brass	gold										
2	body	1	brass	gold										
1	contact pin	1	phosphor bronze	gold										
										DRAWN				
										<i>Tina</i>				
										DATE				
										2010. 10. 11				
											TITLE	BANANA PLUG		
											DRAWING NO.	BP-4041BK/RDPLG(PB)-4.6		
											FILE NO.	DRAWINGAUDIOBPBP-4041BK/RDPLG(PB)-4.6		