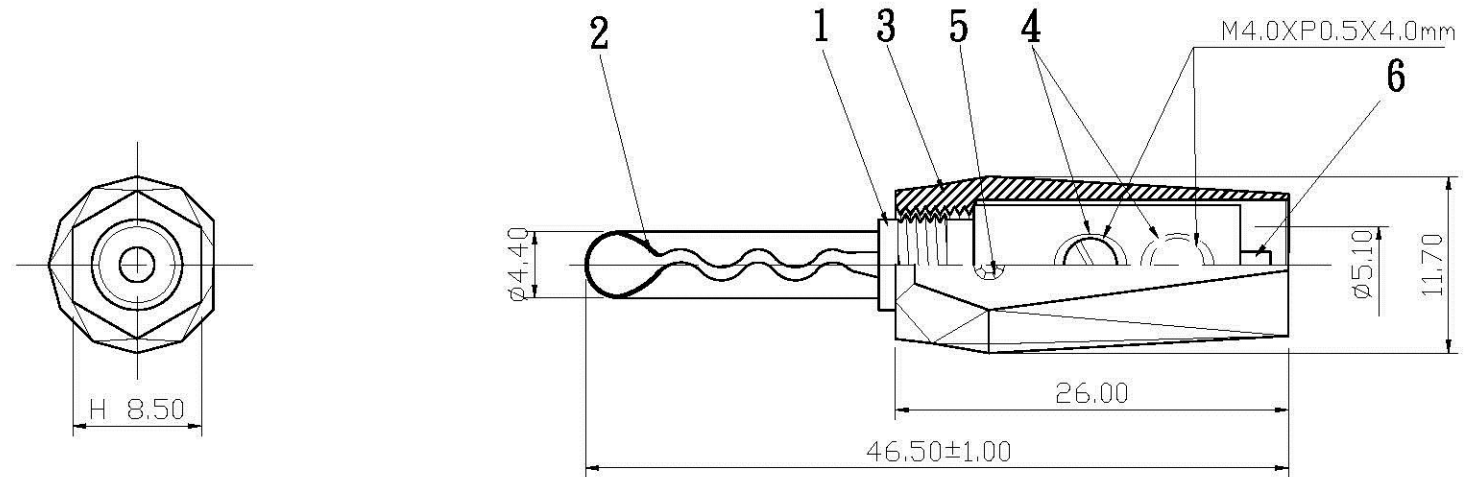


REMARK : RoHS REQUIREMENT APPLIED
(符合RoHS)



S 1 : 1

NO.	Description	Unit	Materials	Finish	Drawing No.	SCALE	2 : 1	UNIT	MM	APPROVED	DATE	FILE NO.		
7						DIMENSIONS ARE IN MILLIMETERS UNLESS OTHERWISE PECIFIED TOLERANCES (一般公差) 0.5-6 = ±0.2 >6-30 = ±0.4 >30-120 = ±0.6 >120-315 = ±1 >315-1000 = ±1.6 ANGLES(角度) = ±5°								
6	sleeve	1	pvc	transparent										
5	swarovski	1	crystal	white										
4	screw	2	brass	gold	SCREW-104G-M4XP0.5X4.0mm									
3	shell	1	brass	zinc alloy + topcoat										
2	contact pin	1	phosphor bronze	gold										
1	body	1	brass	gold										
										APPROVED	2009. 01. 07			
											www.allconnectors.de Tel.: 0049 711 7009509 70794 Filzschlössle Germany			
											info@allconnectors.de Fax: 0049 711 7009504 Kollmannstr. 25			
											TITLE BANANA PLUG			
											DRAWING NO. BP-401ZAG(PB)+P-5.1			
											FILE NO. DRAWING\AUDIO\BP\BP-401ZAG(PB)+P-5.1			