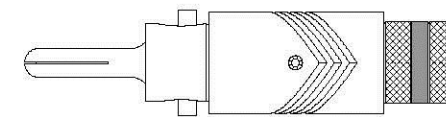
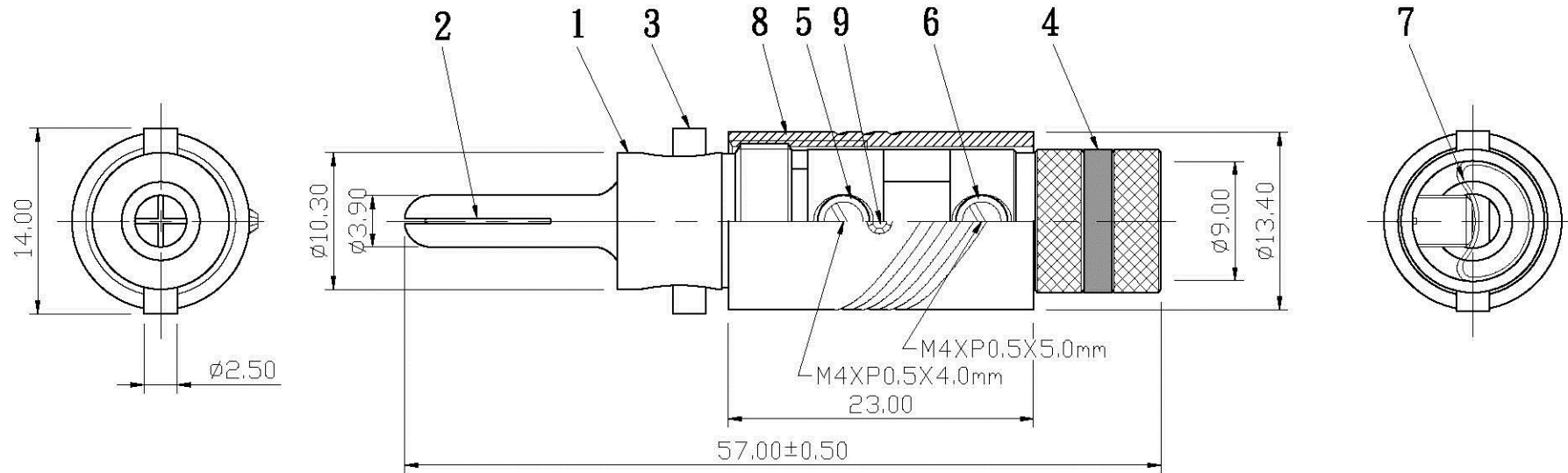


REMARK : RoHS REQUIREMENT APPLIED
(符合RoHS)



S 1 : 1

9	swarovski	1	crystal	white	
8	shell	1	brass	satın gold	
7	ferrule	1	PVC	transparent	
6	screw	1	brass	gold	SCREW-104G-M4XP0.5X5.0mm
5	screw	1	brass	gold	SCREW-104G-M4XP0.5X4.0mm
4	color ring	1	pvc	black/red/white	
3	cleat	1	brass	gold	
2	contact pin	1	brass	gold	
1	body	1	brass	gold	
NO.	Description	Unit	Materials	Finish	Drawing No.

DIMENSIONS ARE IN
MILLIMETERS
UNLESS OTHERWISE PECIFIED
TOLERANCES
(一般公差)
0.5-6 = ±0.2
>6-30 = ±0.4
>30-120 = ±0.6
>120-315 = ±1
>315-1000 = ±1.6
ANGLES(角度) = ±5'

CHECKED

DRAWN

Tina

DATE

2012. 01. 17

All Connectors

www.allconnectors.com
Tel.: 0049 711 7009503
70794 Filzbornstadt, Germany

info@allconnectors.com
Fax: 0049 711 7009504
Kottb. merstr. 25

TITLE

BANANA PLUG

DRAWING NO.

BP-332SGG-BK/RD/WE-9.0

FILE NO. DRAWINGAUDIO\BP\BP-332SGG-BK/RD/WE-9.0

SCALE 2 : 1 UNIT MM