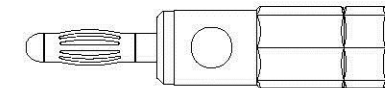
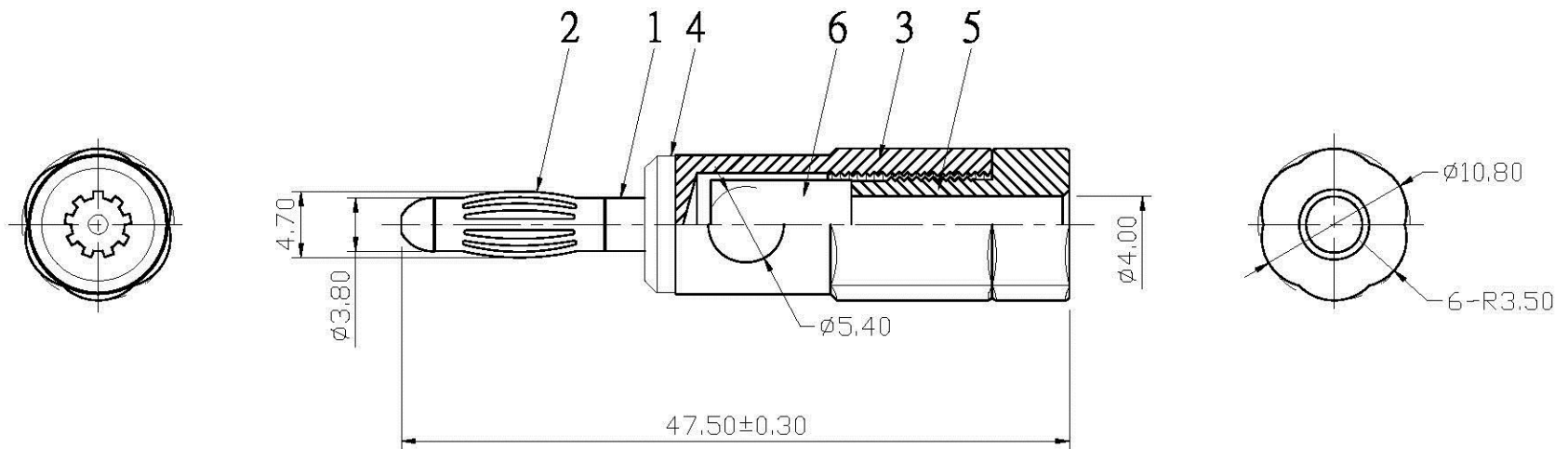


REMARK : RoHS REQUIREMENT APPLIED  
(符合RoHS)



S 1 : 1

NO.	Description	Unit	Materials	Finish	Drawing No.	SCALE	2 : 1	UNIT	MM	DATE	2008. 11. 14
7						DIMENSIONS ARE IN MILLIMETERS UNLESS OTHERWISE PECIFIED TOLERANCES (一般公差) 0.5~6 = ±0.1 >6~30 = ±0.15 >30~120 = ±0.2 >120~315 = ±0.3 >315~1000 = ±0.4 ANGLES(角度) = ±3°				APPROVED	<b>All Connectors</b> www.allconnectors.de Tel.: 0049 711 7002503 70724 Filderstadt - Germany info@allconnectors.de Fax: 0049 711 7002504 Kettenerstr. 25
6	pillar	1	brass	gold	CHECKED						
5	headlock	1	brass	gold	DRAWN						
4	gasket	1	plastic	red/black	<i>Wing</i>						
3	shell	1	brass	gold	DATE						
2	contact pin	1	beryllium copper	gold	TITLE						
1	body	1	brass	gold	BANANA PLUG						
						DRAWING NO.		BP-331GG(BeCu)-SH5.4-BK/RD-4.0			
						FILE NO.		DRAWING\AUDIO\BP\BP-331GG(BeCu)-SH5.4-BK/RD-4.0			