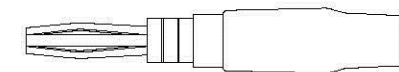
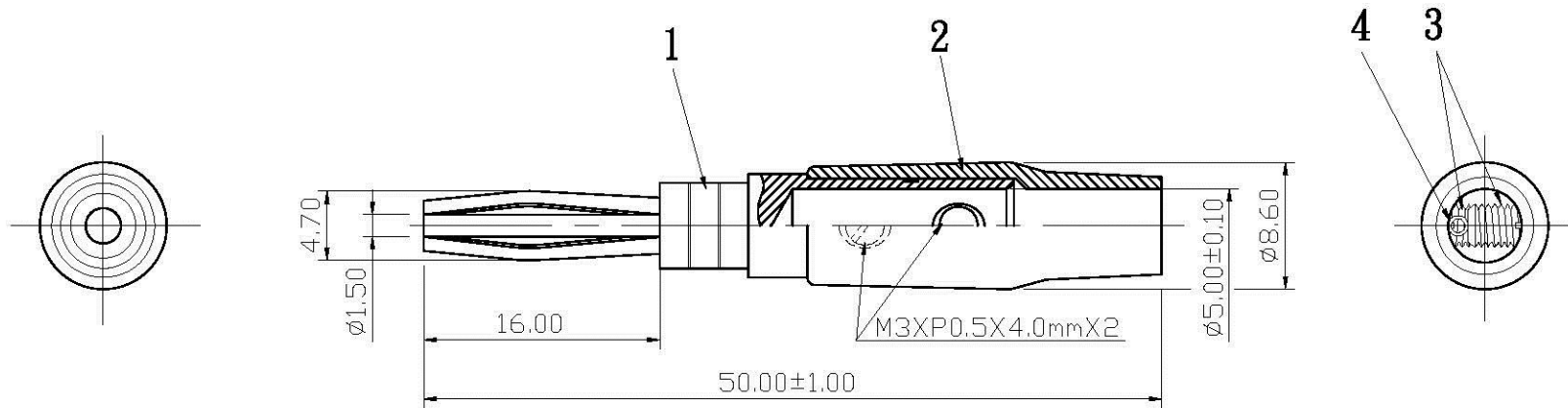



REMARK : RoHS REQUIREMENT APPLIED
(符合RoHS)



S 1 : 1

7						DIMENSIONS ARE IN MILLIMETERS UNLESS OTHERWISE PECIFIED TOLERANCES (一般公差) 0.5~6 = ±0.2 >6~30 = ±0.4 >30~120 = ±0.6 >120~315 = ±1 >315~1000 = ±1.6 ANGLES(角度) = ±5°	APPROVED	 www.allconnectors.de info@allconnectors.de Tel: 0049 711 709504 Fax: 0049 711 709504 70794 Filderstadt - Germany	
6					CHECKED		TITLE		
5					DRAWN		BANANA PLUG		
4	sleeve	1	pvc	transparent			<i>Lala</i>	DRAWING NO.	
3	screw	2	brass	gold	SCREW-103G-M3XP0.5X4.0mm		2008.07.25	BP-320BK/RDsoPLG-5.0	
2	shell	1	soft plastic	black/red				FILE NO.	
1	body	1	brass	gold				DRAWINGAUDIOBPBP-320BK/RDsoPLG-5.0	
NO.	Description	Unit	Materials	Finish	Drawing No.	SCALE	2 : 1	UNIT	MM