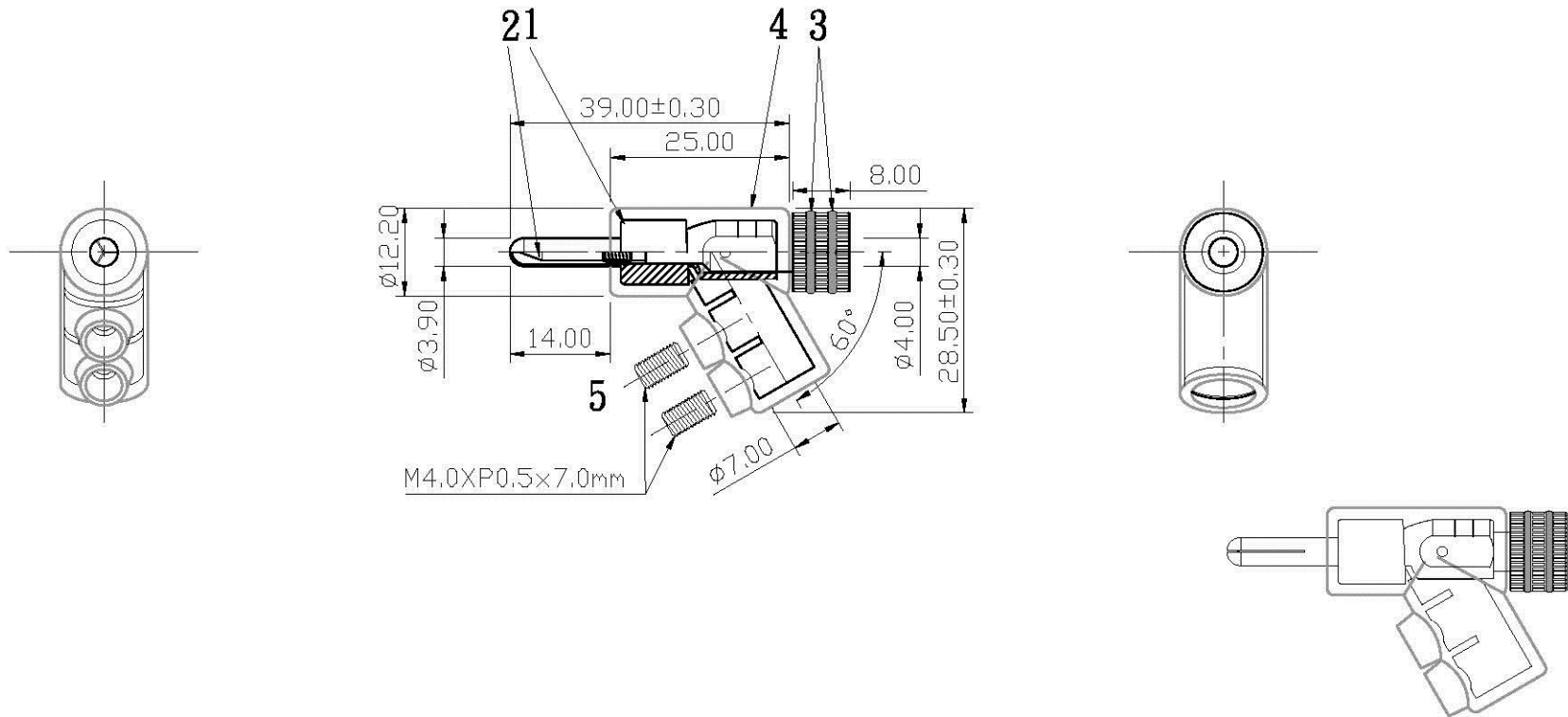



REMARK : RoHS REQUIREMENT APPLIED
(符合RoHS)



S1:1

7						DIMENSIONS ARE IN MILLIMETERS UNLESS OTHERWISE PECIFIED TOLERANCES (一般公差) 0.5~6 = ±0.2 >6~30 = ±0.4 >30~120 = ±0.6 >120~315 = ±1 >315~1000 = ±1.6 ANGLES(角度) = ±5°	APPROVED	 www.allconnectors.de info@allconnectors.de Tel.: 0049 711 400503 70794 Filderstadt - Germany Fax: 0049 711 400504 Kollmannstr. 25	
6					CHECKED		TITLE		
5	screw	2	brass	gold	SCREW-202G-M4XP0.5X7.0mm		DRAWN		BANANA PLUG
4	shell	1	亞克力耐衝擊 (PMMA) MITSUBISHI (RD70)	transparent			DATE		DRAWING NO.
3	color ring	1	painting	red/black			2008. 04. 10		BP-316GG-RD/BK-7.0
2	contact pin	1	brass	gold				FILE NO. DRAWINGAUDIO\BAP\BP-316GG-RD/BK-7.0	
1	body	1	brass	gold					
NO.	Description	Unit	Materials	Finish	Drawing No.	SCALE	1 : 1	UNIT	MM