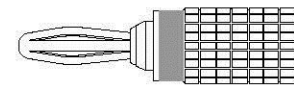
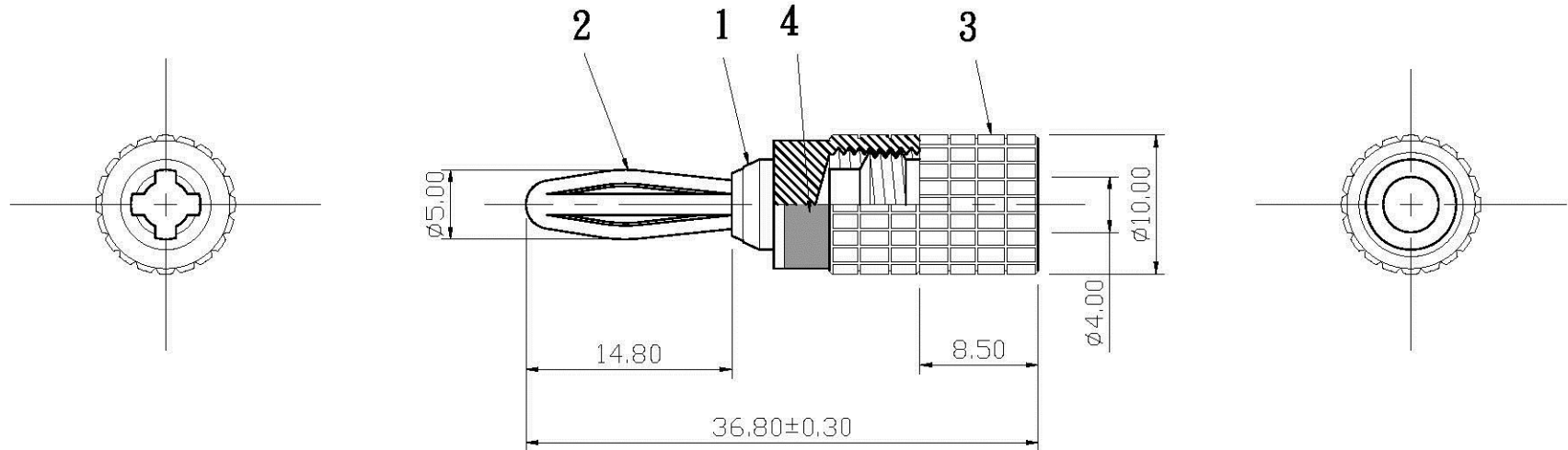


The tolerance without marking are all  $\pm 0.25\text{mm}$



S1:1

### COMPONENTS LIST

| NO. | Description | Unit | Materials | Finish            | Drawing No. |
|-----|-------------|------|-----------|-------------------|-------------|
| 1   | body        | 1    | brass     | gold              |             |
| 2   | contact     | 1    | brass     | gold              |             |
| 3   | headlock    | 1    | brass     | gold              |             |
| 4   | color ring  | 1    | PVC       | black/red(nature) |             |
| 5   |             |      |           |                   |             |

|                   |  |                    |  |   |  |
|-------------------|--|--------------------|--|---|--|
| 校對<br>Check       |  | 核准<br>Approved     |  | <br>www.allconnectors.de<br>Tel.: 0049 711 7009303<br>70794 Filderstadt - Germany<br>info@allconnectors.de<br>Fax: 0049 711 7009301<br>Kettenerstr. 25 |  |
| 繪圖<br>Drawing By  |  | Tina               |  | 2006. 02. 15  |  |
| SCALE             |  | 2 : 1              |  | UNIT MM   |  |
| 圖名<br>TITLE       |  | BANANA PLUG        |  |   |  |
| 型號<br>PART NO.    |  | BP-315GG-BK/RD-4.0 |  |   |  |
| 圖號<br>DRAWING NO. |  | 06021002-3         |  |   |  |