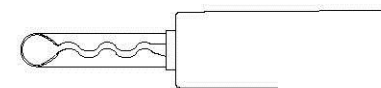
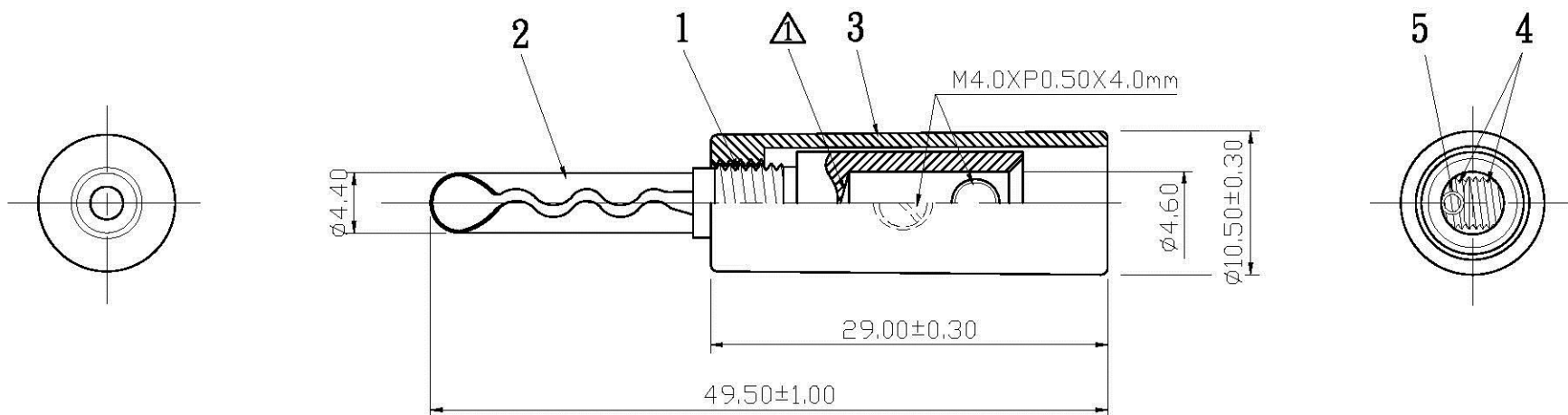



No.	DATE	DESCRIPTION	REV
△	2008. 06. 06	The previous hole of body is penetrable The revised impenetrable (本體由穿透改為不穿透)	A

REMARK : RoHS REQUIREMENT APPLIED
(符合RoHS)



S1:1

NO.	Description	Unit	Materials	Finish	Drawing No.	SCALE	2 : 1	UNIT	MM	DATE	2007. 12. 13		
7						DIMENSIONS ARE IN MILLIMETERS UNLESS OTHERWISE PECIFIED TOLERANCES (一般公差) 0.5~6 = ±0.2 >6~30 = ±0.4 >30~120 = ±0.6 >120~315 = ±1 >315~1000 = ±1.6 ANGLES(角度) = ±5°				APPROVED	 www.allconnectors.de Tel.: 0049 711 7009503 70794 Filderstadt - Germany info@allconnectors.de Fax: 0049 711 7009504 Kettenerstr. 25		
6					CHECKED								
5	sleeve	1	pvc	transparent						DRAWN			
4	screw	2	brass	gold	SCREW-104G-M4XP0.5X4.0mm					<i>Lala</i>		TITLE	BANANA PLUG
3	shell	1	plastic	black/red						DATE		DRAWING NO.	BP-313BK/RDPLG(PB)-4.6
2	contact pin	1	phosphor bronze	gold			FILE NO.	DRAWING/AUDIO/BP/BP-313BK/RDPLG(PB)-4.6					
1	body	1	brass	gold									