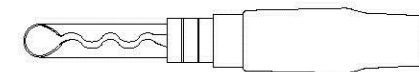
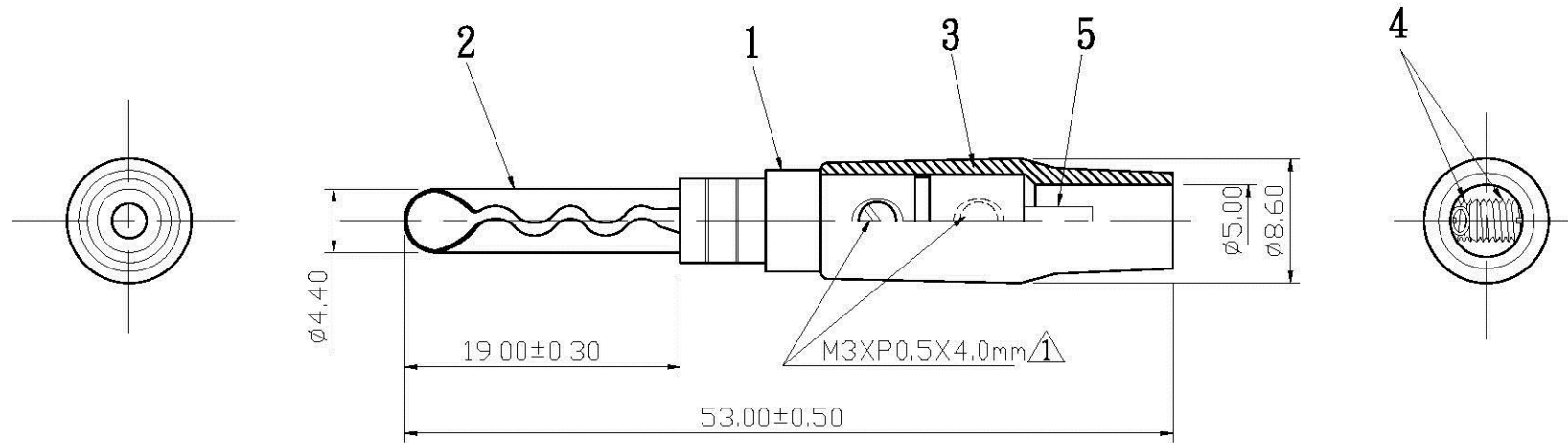


No.	DATE	DESCRIPTION	REV
△	2008. 11. 17	Original dimation M3.0XP0.5X4.5mm	A

REMARK : RoHS REQUIREMENT APPLIED
(符合RoHS)



S 1 : 1

NO.	Description	Unit	Materials	Finish	Drawing No.	SCALE	2 : 1	UNIT	MM	DATE	2007. 08. 15	FILE NO.	DRAWING\AUDIO\BP\BP-312BK/RDsoPLG-5.0		
7						DIMENSIONS ARE IN MILLIMETERS UNLESS OTHERWISE PECIFIED TOLERANCES (一般公差) 0.5~6 = ±0.2 >6~30 = ±0.4 >30~120 = ±0.6 >120~315 = ±1 >315~1000 = ±1.6 ANGLES(角度) = ±5°				APPROVED					
6					CHECKED					www.allconnectors.de Tel: 0049 711 405503 7074 Hilderstact - Germany		info@allconnectors.de Fax: 0049 711 405504 Kettamerstr. 25			
5	ferrule	1	plastic	transparent						DRAWN		TITLE		BANANA PLUG	
4	screw	2	brass	gold	SCREW-103G-M3XP0.5X4.0mm					Lala		DRAWING NO.		BP-312BK/RDsoPLG-5.0	
3	shell	1	soft plastic	black/red						DATE		FILE NO.		DRAWING\AUDIO\BP\BP-312BK/RDsoPLG-5.0	
2	contact pin	1	phosphor bronze	gold											
1	body	1	brass	gold											