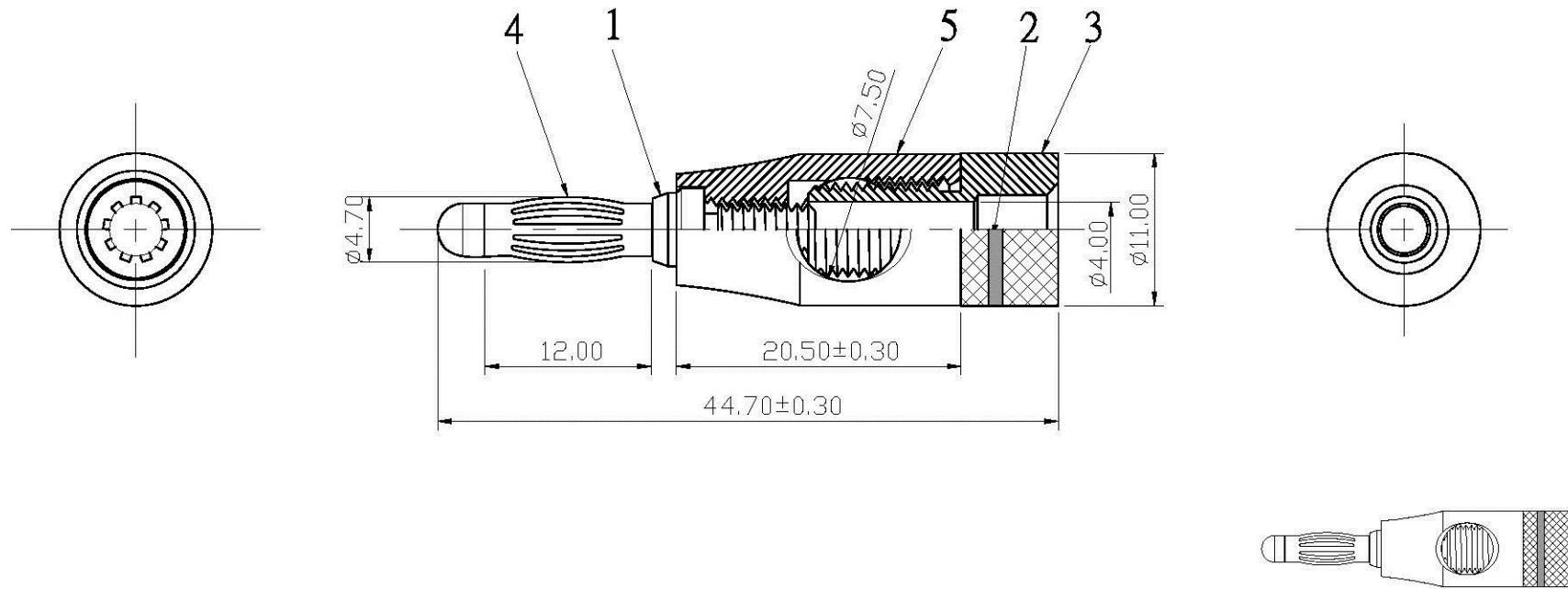



REMARK : RoHS REQUIREMENT APPLIED  
(符合RoHS)



S1:1

7						DIMENSIONS ARE IN MILLIMETERS  UNLESS OTHERWISE PECIFIED TOLERANCES (一般公差) 0.5~6 = $\pm 0.2$ >6~30 = $\pm 0.4$ >30~120 = $\pm 0.6$ >120~315 = $\pm 1$ >315~1000 = $\pm 1.6$ ANGLES(角度) = $\pm 5^\circ$	APPROVED	 www.allconnectors.de Tel: 0049 711 409504 70754 Fildefels, Germany info@allconnectors.de Fax: 0049 711 409504 Kellernersgr. 25	
6					CHECKED				
5	shell	1	brass	matte black coated			TITLE		BANANA PLUG
4	contact pin	1	beryllium copper	gold			DRAWN		Lala
3	headlock	1	brass	gold			DATE		2007.10.29
2	color ring	1	pvc	red/black/blue white/yellow/green			DRAWING NO.		BP-311MBCG-SH7.5-RD/BK/BE/WE/YW/GN-4.0
1	body	1	brass	gold		FILE NO.	DRAWINGAUDIO/BP/BP-311MBCG-SH7.5-RD/BK/BE/WE/YW/GN-4.0		
NO.	Description	Unit	Materials	Finish	Drawing No.	SCALE	2 : 1	UNIT	MM