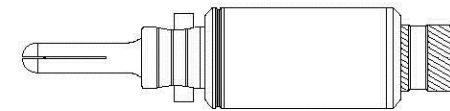
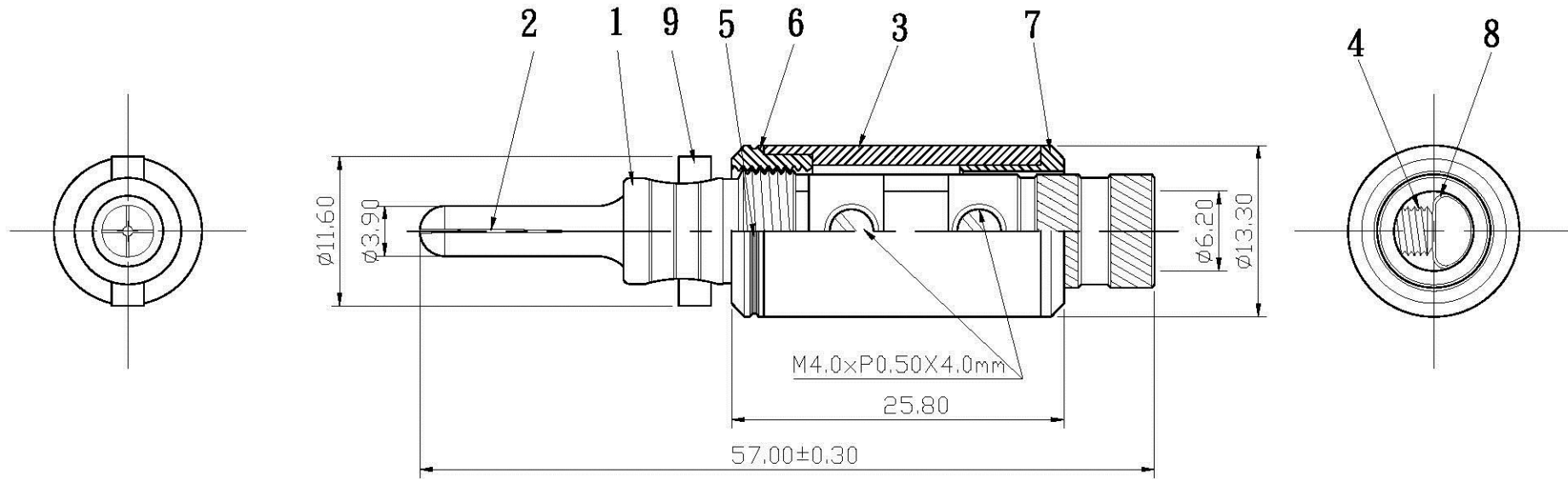


REMARK : RoHS REQUIREMENT APPLIED
(符合RoHS)



S 1 : 1

9	cleat	1	brass	gold	
8	sleeve	1	pvc	transparent	
7	headlock	1	brass	gold	
6	headlock	1	brass	gold	
5	color ring	1	painting	red/black/blue white/yellow/green	
4	screw	2	brass	gold	SCREW-104G-M4XP0.5X4.0mm
3	shell	1	wood	pattern	
2	contact pin	1	brass	gold	
1	body	1	brass	gold	
NO.	Description	Unit	Materials	Finish	Drawing No.

DIMENSIONS ARE IN
MILLIMETERS

UNLESS OTHERWISE PECIFIED
TOLERANCES
(一般公差)

0.5-6 = ±0.2
>6-30 = ±0.4
>30-120 = ±0.6
>120-315 = ±1
>315-1000 = ±1.6
ANGLES(角度) = ±5°

SCALE 2 : 1 UNIT MM

APPROVED

CHECKED

DRAWN

Lala

DATE

2007. 10. 31

All Connectors

www.allconnectors.de
Tel.: 0049 711 7009500
70754 Filzella - Germany

info@allconnectors.de
fax: 0049 711 7009504
Kellnerstr. 25

TITLE

BANANA PLUG

DRAWING NO.

BP-309WDG-RD/BK/BE/WE/YW/GN-6.2

FILE NO. DRAWINGAUDIO\BP\BP-309WDG-RD/BK/BE/WE/YW/GN-6.2