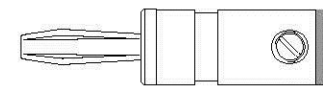
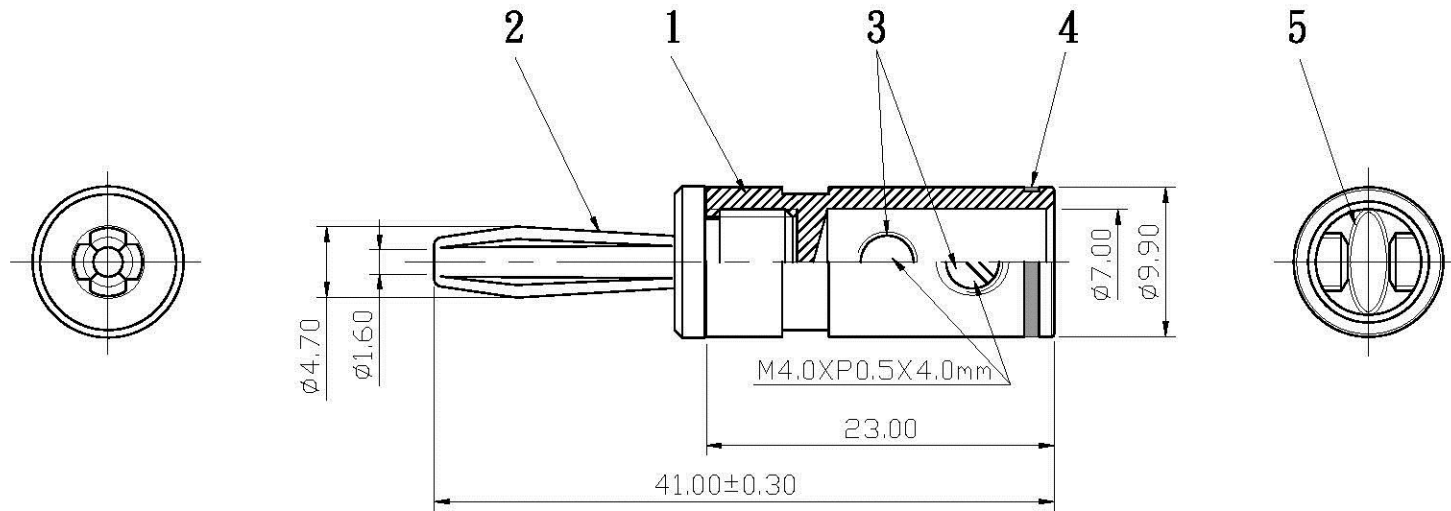



REMARK : RoHS REQUIREMENT APPLIED
(符合RoHS)



S1:1

7						DIMENSIONS ARE IN MILLIMETERS UNLESS OTHERWISE PECIFIED TOLERANCES (一般公差) 0.5-6 = ±0.2 >6-30 = ±0.4 >30-120 = ±0.6 >120-315 = ±1 >315-1000 = ±1.6 ANGLES(角度) = ±5°	CHECKED	 www.allconnectors.de Tel.: 0049 711 7009503 70754 Filderstadt - Germany info@allconnectors.de Fax: 0049 711 7009504 Kettenerstr. 25			
6							DRAWN		TITLE		
5	sleeve	1	pvc	white			<i>Lala</i>		BANANA PLUG		
4	color ring	1	pvc	red/black/blue white/yellow/green				DRAWING NO.			
3	screw	2	brass	gold	SCREW-104G-M4XP0.5X4.0mm			BP-308GG-RD/BK/BE/WE/YW/GN-7.0			
2	terminal	1	brass	gold				DATE			
1	shell	1	brass	gold			2010. 01. 27				
NO.	Description	Unit	Materials	Finish	Drawing No.	SCALE	2 : 1	UNIT	MM	FILE NO.	DRAWING\AUDIO\BPBP-308GG-RD/BK/BE/WE/YW/GN-7.0