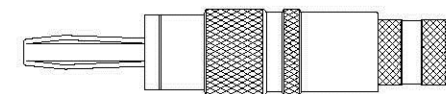
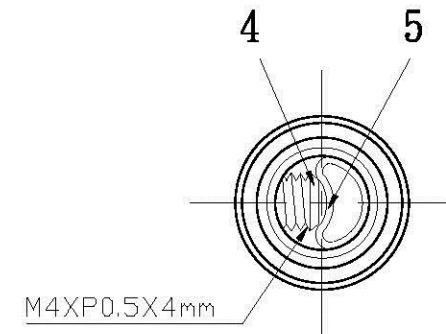
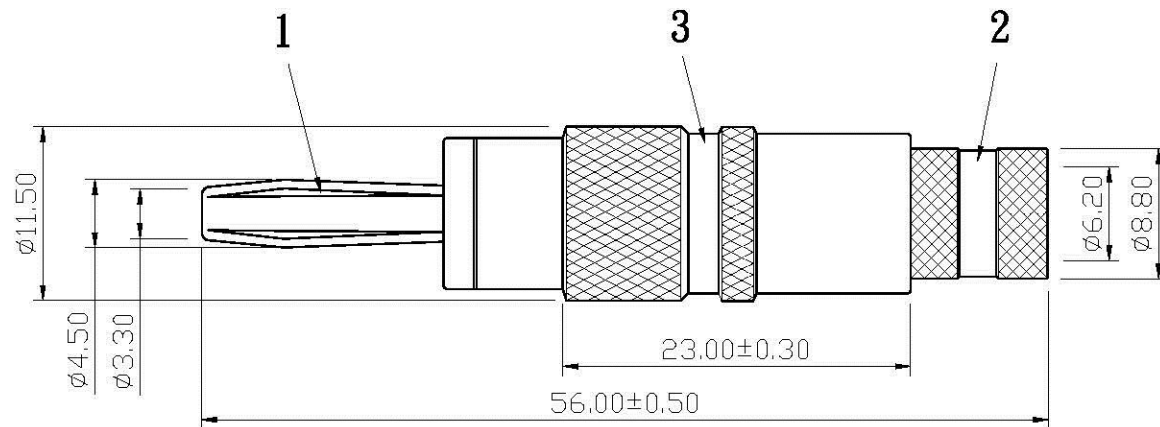


REMARK : RoHS REQUIREMENT APPLIED
(符合RoHS)



S1 : 1

NO.	Description	Unit	Materials	Finish	Drawing No.	SCALE	2 : 1	UNIT	MM	APPROVED	DATE	FILE NO.
5	sleeve	1	pvc	white						<p>APPROVED</p> <p>CHECKED</p> <p>DRAWN <i>Otis</i></p> <p>DATE 2008. 03. 21</p>	<p>2008. 03. 21</p>	<p>www.allconnectors.de Tel.: 0049 711 309504 40541 Hilderstact - Germany</p> <p>Info@allconnectors.de Fax: 0049 711 309504 Kettnerstr. 26</p>
4	screw	2	brass	gold	SCREW-104G-M4XP0.5X4.0mm							
3	shell	1	brass	zinc alloy								
2	body	1	brass	gold								
1	contact pin	1	brass	gold								
						<p>DIMENSIONS ARE IN MILLIMETERS</p> <p>UNLESS OTHERWISE PECIFIED TOLERANCES (一般公差)</p> <p>0.5~6 = ±0.2</p> <p>>6~30 = ±0.4</p> <p>>30~120 = ±0.6</p> <p>>120~315 = ±1</p> <p>>315~1000 = ±1.6</p> <p>ANGLES(角度) = ±5°</p>				<p>Allconnectors</p> <p>TITLE BANANA PLUG</p> <p>DRAWING NO. BP-305ZAG-6.2</p> <p>FILE NO. DRAWINGAUDIOBPBP-305ZAG-6.2</p>		