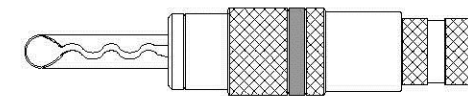
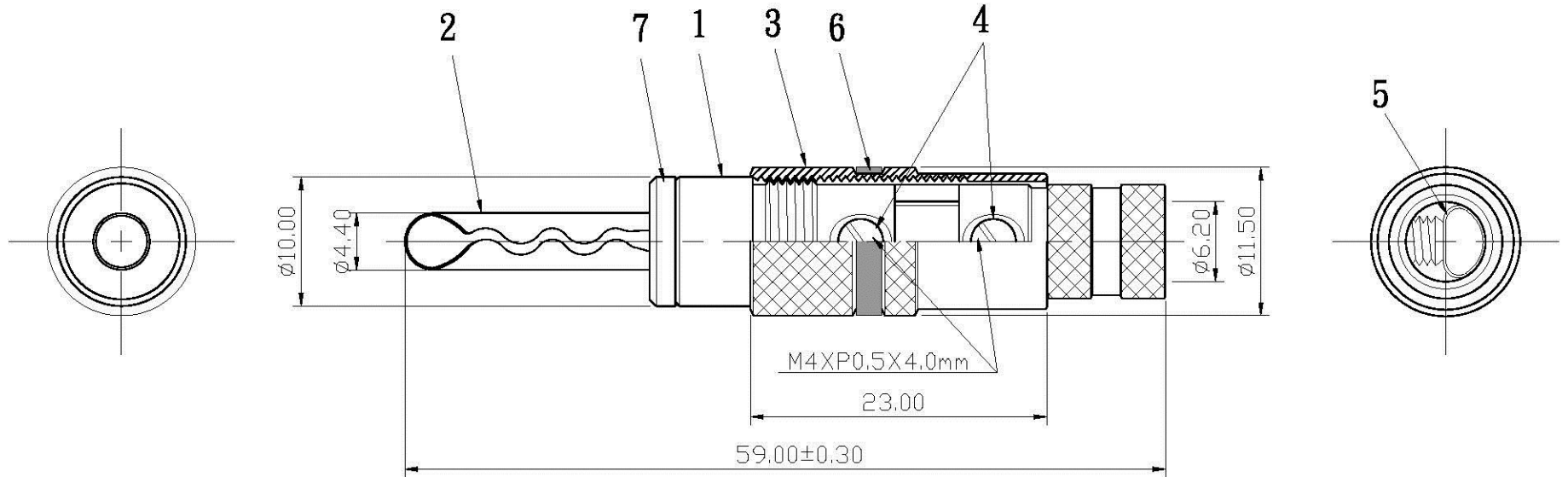



REMARK : RoHS REQUIREMENT APPLIED
(符合RoHS)



S 1 : 1

NO.	Description	Unit	Materials	Finish	Drawing No.	SCALE	2 : 1	UNIT	MM					
7	headlock	1	brass	gold		DIMENSIONS ARE IN MILLIMETERS UNLESS OTHERWISE PECIFIED TOLERANCES (一般公差) 0.5-6 = ±0.2 >6-30 = ±0.4 >30-120 = ±0.6 >120-315 = ±1 >315-1000 = ±1.6 ANGLES(角度) = ±5°								
6	color ring	1	pvc	red/black/white										
5	sleeve	1	pvc	transparent										
4	screw	2	brass	gold	SCREW-104G-M4XP0.5X4.0mm									
3	shell	1	brass	zinc alloy										
2	contact pin	1	phosphor bronze	gold										
1	body	1	brass	gold										
						APPROVED	 www.allconnectors.de Tel.: 0049 711 700503 70754 Filberstadt - Germany info@allconnectors.de Fax: 0049 711 700504 Kettenerstr. 25							
						CHECKED								
						DRAWN					TITLE BANANA PLUG DRAWING NO. BP-304ZAG(PB)-RD/BK/WE-6.2 FILE NO. DRAWINGAUDIO\BP\BP-304ZAG(PB)-RD/BK/WE-6.2			
						DATE								