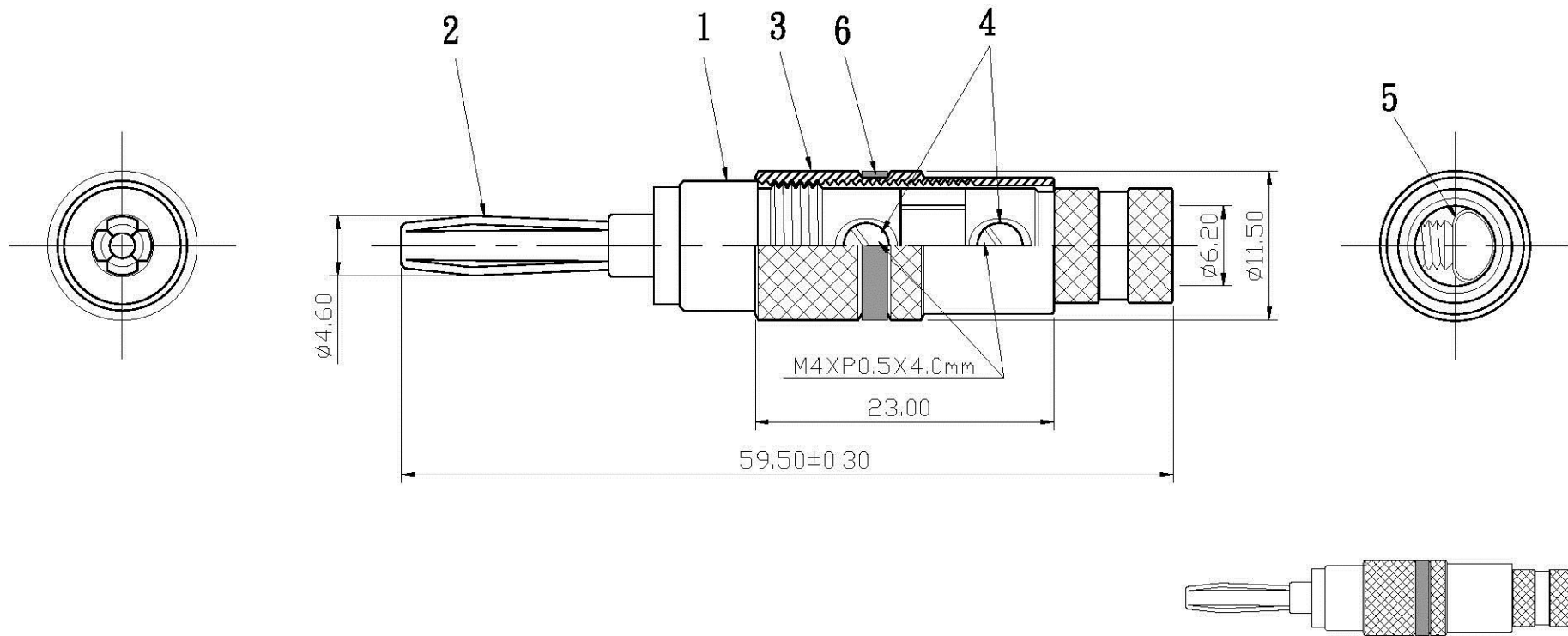



REMARK : RoHS REQUIREMENT APPLIED  
(符合RoHS)



S 1 : 1

NO.	Description	Unit	Materials	Finish	Drawing No.	SCALE	2 : 1	UNIT	MM					
7						DIMENSIONS ARE IN MILLIMETERS UNLESS OTHERWISE PECIFIED TOLERANCES (一般公差) 0.5~6 = ±0.2 >6~30 = ±0.4 >30~120 = ±0.6 >120~315 = ±1 >315~1000 = ±1.6 ANGLES(角度) = ±5°								
6	color ring	1	pvc	red/black/white										
5	ferrule	1	plastic	white										
4	screw	2	brass	gold	SCREW-105G-M4XP0.5X4.0mm(φ 3.8)									
3	shell	1	brass	stain silver										
2	terminal	1	brass	gold										
1	body	1	brass	gold										
						APPROVED	 www.allconnectors.de info@allconnectors.de Tel.: 0049 711 7009503 Fax: 0049 711 7009504 70754 Fellbachstr. Germany Kottenerstr. 25							
						CHECKED								
						DRAWN					TITLE <b>BANANA PLUG</b> DRAWING NO. <b>BP-302SSG-RD/BK/WE-6.2</b> FILE NO. DRAWINGAUDIOBPBP-302SSG-RD/BK/WE-6.2			
						DATE								
						2007.10.26								