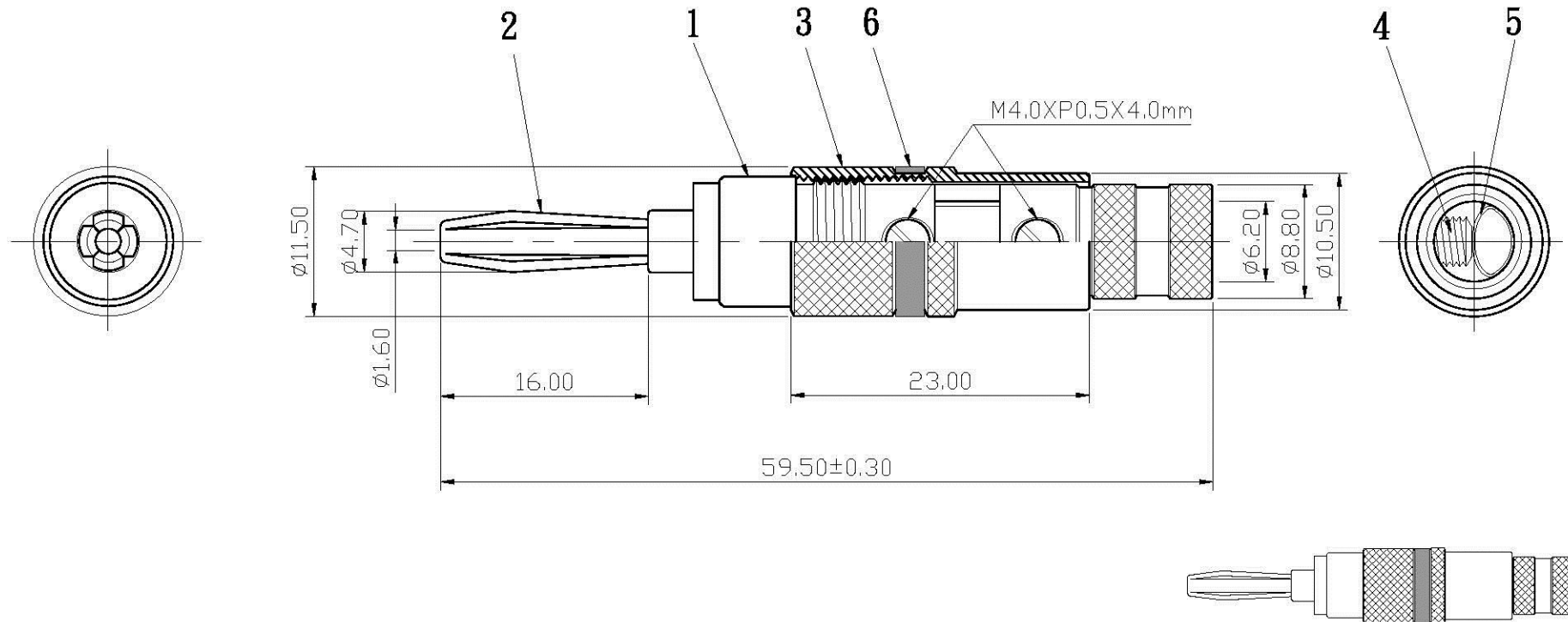



REMARK : RoHS REQUIREMENT APPLIED
(符合RoHS)



S1:1

NO.	Description	Unit	Materials	Finish	Drawing No.	SCALE	2 : 1	UNIT	MM	
7						DIMENSIONS ARE IN MILLIMETERS UNLESS OTHERWISE PECIFIED TOLERANCES (一般公差) 0.5-6 = ±0.2 >6-30 = ±0.4 >30-120 = ±0.6 >120-315 = ±1 >315-1000 = ±1.6 ANGLES(角度) = ±5°				
6	color ring	1	PVC	red/black						
5	ferrule	1	plastic	white						
4	screw	2	brass	gold	SCREW-105G-M4XP0.5X4.0mm(φ 3.8)					
3	shell	1	brass	zinc alloy						
2	terminal	1	brass	gold						
1	body	1	brass	gold						
						APPROVED	 www.allconnectors.de info@allconnectors.de Tel: 0049 711 7005503 Fax: 0049 711 7009504 70794 Filderstadt - Germany Kettnerstr. 25			
						CHECKED				
						DRAWN <i>Lala</i>				
						DATE 2007.08.28				
						TITLE	BANANA PLUG			
						DRAWING NO.	BP-301ZAG-RD/BK-6.2			
						FILE NO.	DRAWINGAUDIO\BP\BP-301ZAG-RD/BK-6.2			