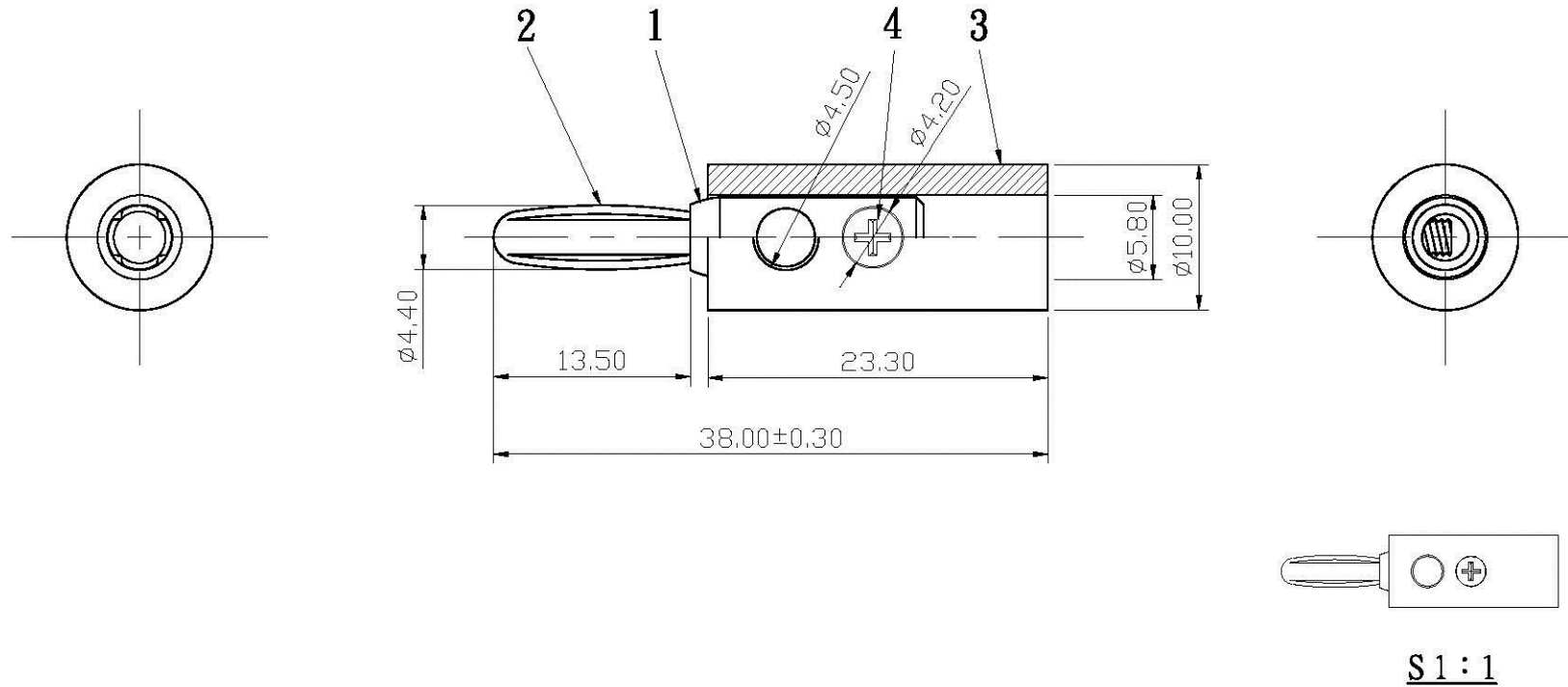


The tolerance without marking are all $\pm 0.25\text{mm}$



COMPONENTS LIST

NO.	Description	Unit	Materials	Finish	Drawing No.
1	body	1	brass	nickel	
2	contact	1	brass	nickel	
3	shell	1	plastic	red/black(nature)	
4	screw	1	brass	nickel	
5					

校對 Check		核准 Approved		 www.allconnectors.de Tel.: 0049 711 7009503 70791 Filderstadt - Germany	
繪圖 Drawing By		Tina		2006. 03. 03	
SCALE		2 : 1		UNIT MM	
圖名 TITLE		BANANA PLUG			
型號 PART NO.		BP-255RD/BKPLG-SH4.5-5.8			
圖號 DRAWING NO.		06030304-3			

S1:1