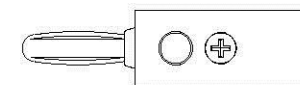
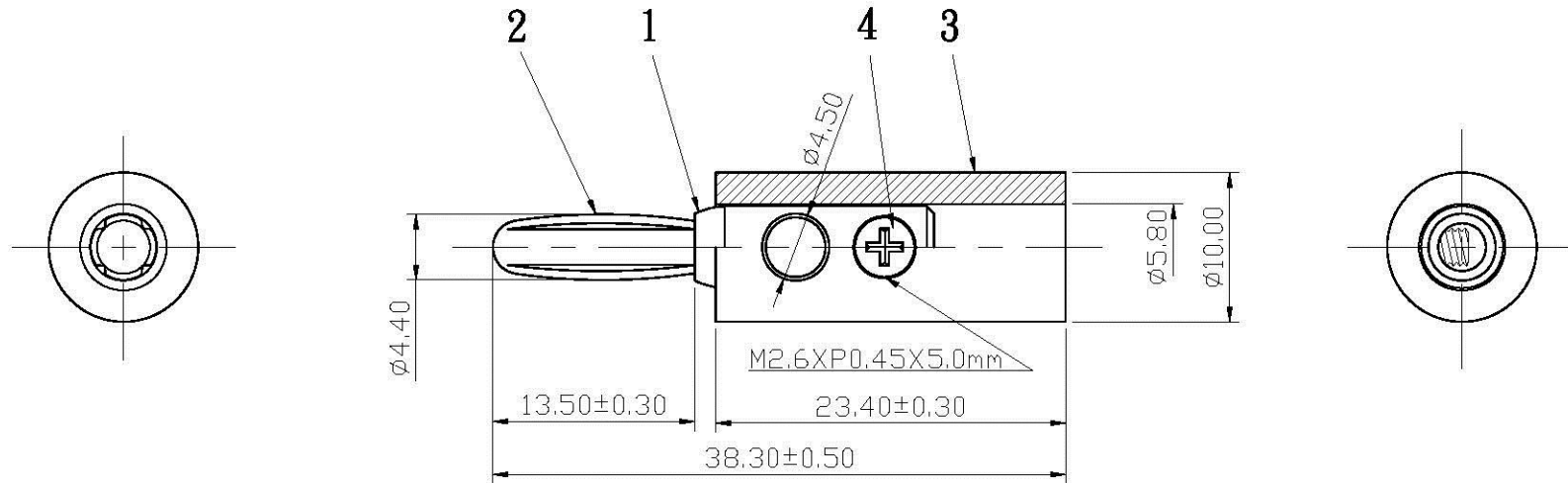


REMARK : RoHS REQUIREMENT APPLIED
(符合RoHS)



S1:1

7						DIMENSIONS ARE IN MILLIMETERS UNLESS OTHERWISE PECIFIED TOLERANCES (一般公差) 0.5-6 = ± 0.2 >6-30 = ± 0.4 >30-120 = ± 0.6 >120-315 = ± 1 >315-1000 = ± 1.6 ANGLES(角度) = $\pm 5^\circ$	APPROVED	 www.allconnectors.de Tel.: 0049 711 7009501 70794 Hilderstadt - Germany info@allconnectors.de Fax: 0049 711 7009504 Kettenenstr. 25	
6					CHECKED		TITLE		
5					DRAWN		BANANA PLUG		
4	screw	1	iron	gold	SCREW-302G-M2.6XP0.45X5.0mm		<i>Lala</i>	DRAWING NO.	
3	shell	1	plastic	red/black			DATE	BP-254RD/BKPLG-SH4.5-5.8	
2	contact	1	brass	gold			2009. 07. 03	FILE NO.	
1	body	1	brass	gold				DRAWINGAUDIOBPBP-254RD/BKPLG-SH4.5-5.8	
NO.	Description	Unit	Materials	Finish	Drawing No.	SCALE	2 : 1	UNIT	MM