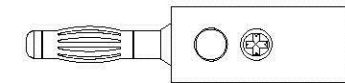
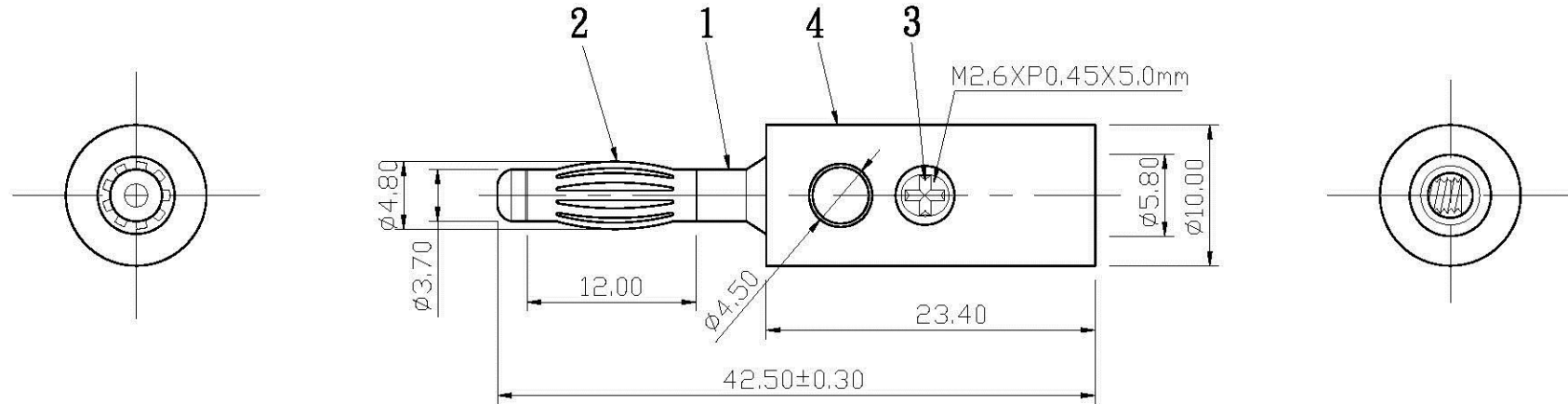


REMARK : RoHS REQUIREMENT APPLIED  
(符合RoHS)



S 1 : 1

NO.	Description	Unit	Materials	Finish	Drawing No.	SCALE	2 : 1	UNIT	MM
4	shell	1	plastic	red/black					
3	screw	1	brass	nickel	SCREW-302N-M2.6XP0.45X5.0mm				
2	contact	1	beryllium copper	nickel	CP-BP-101(BeCu)				
1	body	1	brass	nickel					
						DIMENSIONS ARE IN MILLIMETERS UNLESS OTHERWISE PECIFIED TOLERANCES (一般公差) 0.5-6 = ±0.2 >6-30 = ±0.4 >30-120 = ±0.6 >120-315 = ±1 >315-1000 = ±1.6 ANGLES(角度) = ±5°			
						APPROVED CHECKED DRAWN <i>Lala</i> DATE 2007. 11. 06			
						<b>Allconnectors</b> <small>www.allconnectors.de            T: +49 711 7099503            F: +49 711 7099504            70791 Filderstadt - Germany            Info@allconnectors.de            Kettenerstr. 25</small>			
						TITLE <b>BANANA PLUG</b>			
						DRAWING NO. <b>BP-253RD/BKPLN(BeCu)-SH4.5-5.8</b>			
						FILE NO. <b>DRAWINGAUDIOBPBP-253RD/BKPLN(BeCu)-SH4.5-5.8</b>			