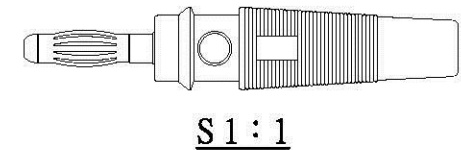
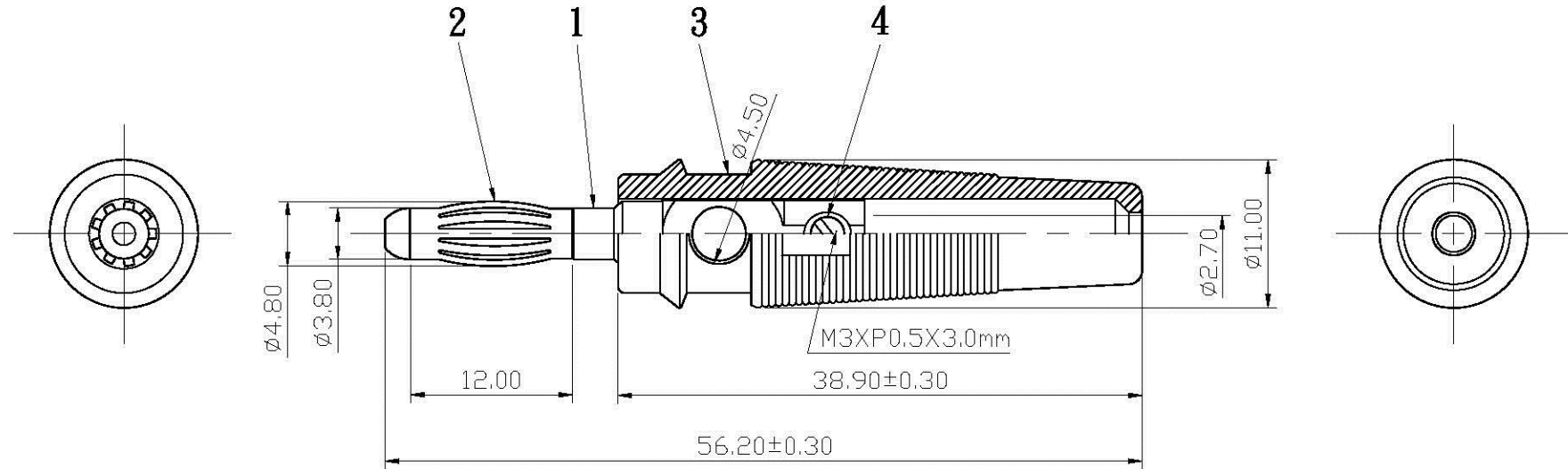



| No. | DATE         | DESCRIPTION           | REV |
|-----|--------------|-----------------------|-----|
| △   | 2010. 05. 04 | update drawing (圖面更新) | A   |

REMARK : RoHS REQUIREMENT APPLIED  
(符合RoHS)



|     |             |      |                  |                  |                          |  |                      |   |
|-----|-------------|------|------------------|------------------|--------------------------|--|----------------------|---|
| 7   |             |      |                  |                  |                          | DIMENSIONS ARE IN<br>MILLIMETERS<br><br>UNLESS OTHERWISE PECIFIED<br>TOLERANCES<br>(一般公差)<br>0.5~6 = ±0.2<br>>6~30 = ±0.4<br>>30~120 = ±0.6<br>>120~315 = ±1<br>>315~1000 = ±1.6<br>ANGLES(角度) = ±5° | CHECKED              | <br>www.allconnectors.de<br>Tel.: 0049 /11 /309503<br>70794 Filderstadt Germany<br>info@allconnectors.de<br>Fax: 0049 /11 /309504<br>kettenstr. 25 |
| 6   |             |      |                  |                  | DRAWN<br><i>Wing</i>     |  |                      |   |
| 5   |             |      |                  |                  |                          |  | DATE<br>2007. 11. 08 | DRAWING NO.<br>BP-251RD/BK/YWPLN(BeCu)-2.7  |
| 4   | screw       | 1    | brass            | gold             | SCREW-103G-M3XP0.5X3.0mm |  |                      | FILE NO. DRAWING\AUDIO\BP\BP-251RD/BK/YWPLN(BeCu)-2.7   |
| 3   | shell       | 1    | plastic          | red/black/yellow |                          |  |                      |   |
| 2   | contact pin | 1    | beryllium copper | nickel           |                          |  |                      |   |
| 1   | body        | 1    | brass            | nickel           |                          |  |                      |   |
| NO. | Description | Unit | Materials        | Finish           | Drawing No.              | SCALE 2 : 1  | UNIT                 | MM  |