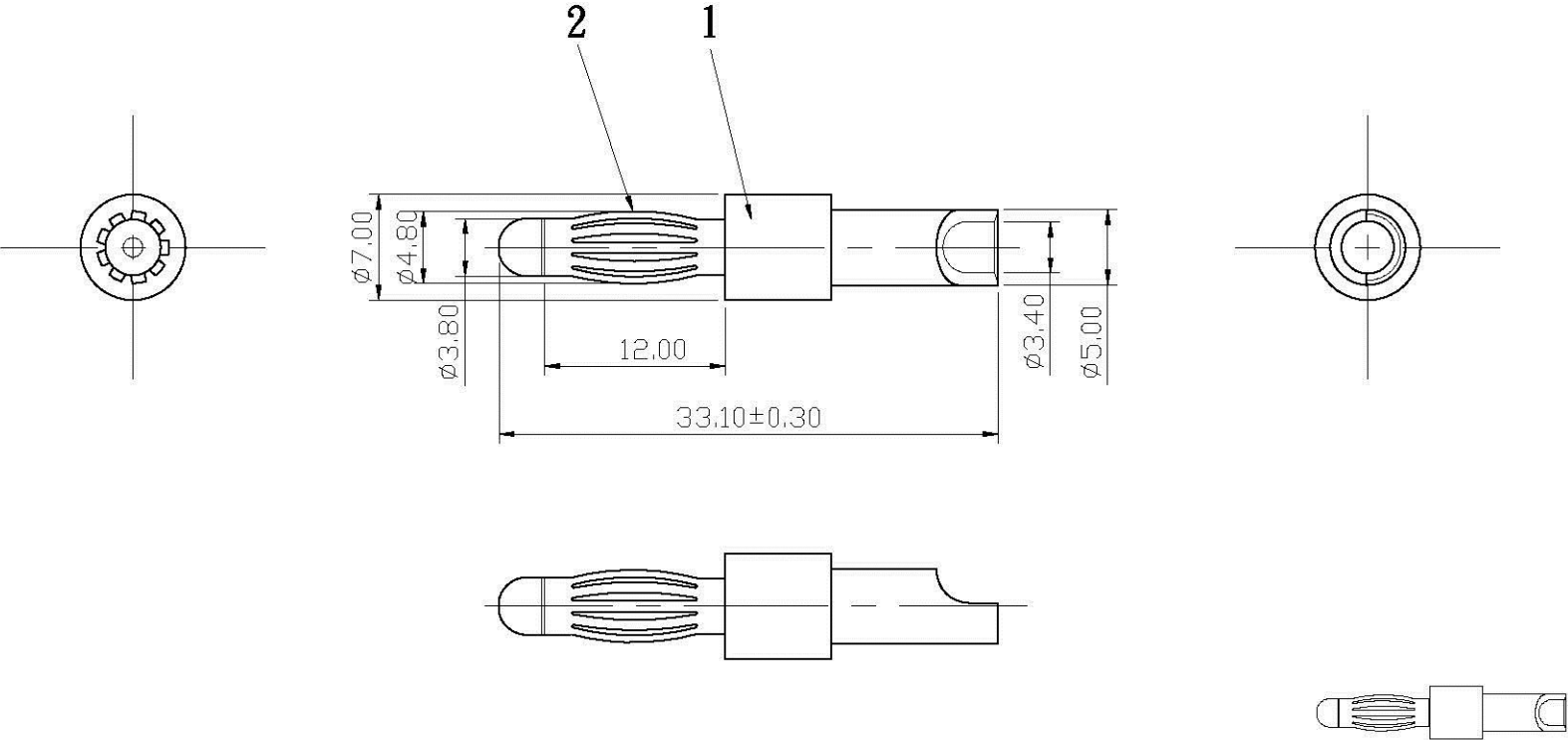



REMARK : RoHS REQUIREMENT APPLIED
(符合RoHS)



S 1 : 1

7						DIMENSIONS ARE IN MILLIMETERS UNLESS OTHERWISE PECIFIED TOLERANCES (一般公差) 0.5~6 = ± 0.2 >6~30 = ± 0.4 >30~120 = ± 0.6 >120~315 = ± 1 >315~1000 = ± 1.6 ANGLES(角度) = $\pm 5^\circ$	CHECKED	 www.allconnectors.de Tel.: 0049 711 7009503 70794 Filderstadt - Germany	info@allconnectors.de Fax: 0049 711 7009504 Kellermeister, 25
6					DRAWN <i>Tina</i>				
5								DATE 2007. 11. 09	DRAWING NO. BP-210GG(BeCu)-3.4
4								FILE NO. DRAWINGAUDIOBPBP-210GG(BeCu)-3.4	
3									
2	contact pin	1	beryllium copper	gold					
1	body	1	brass	gold					
NO.	Description	Unit	Materials	Finish	Drawing No.	SCALE	2 : 1	UNIT	MM